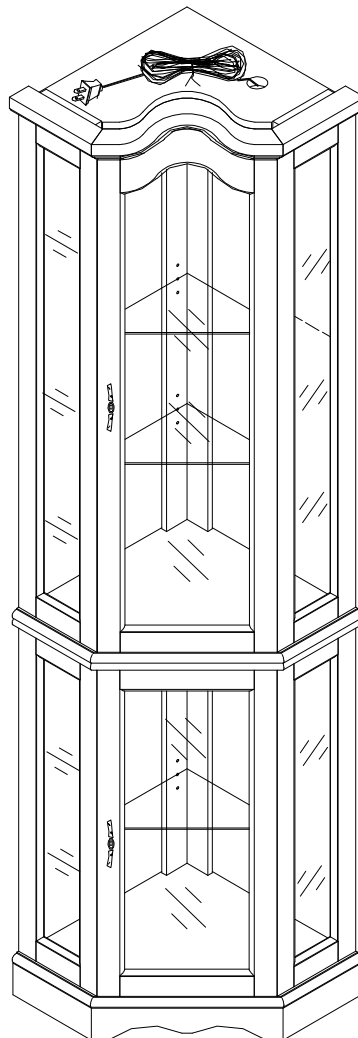


LIGHTED CORNER CURIO  
CM0695-GOLDEN OAK  
CM0696-MAHOGANY  
Assembly Instructions



For assistance with assembly contact:  
Southern Enterprises Inc.  
Customer Service 1-800-633-5096  
[service@seidal.com](mailto:service@seidal.com)  
[www.seidal.com](http://www.seidal.com)

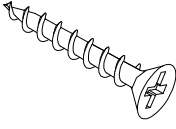

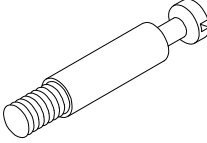
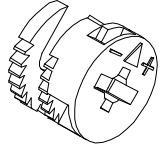

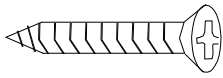
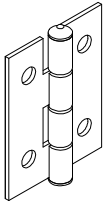
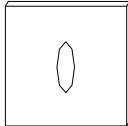
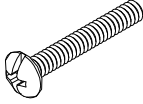
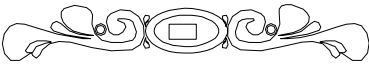

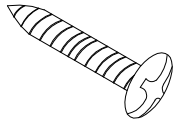
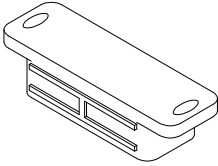
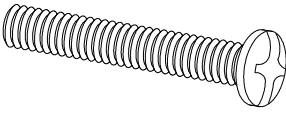
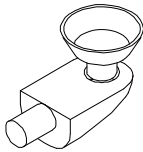
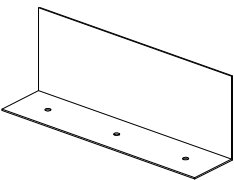
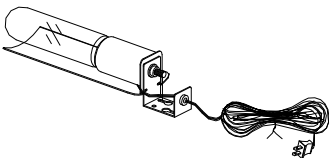
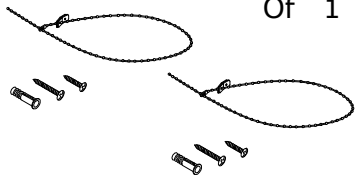


**PO#12000**

# LIGHTED CORNER CURIO

## Parts List

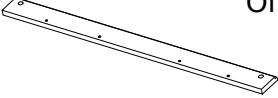
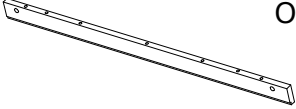

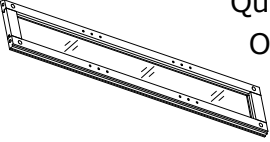
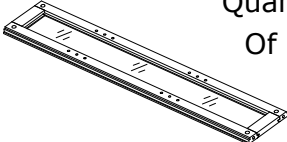
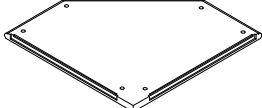
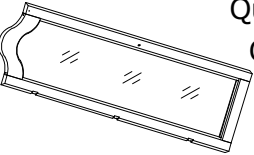
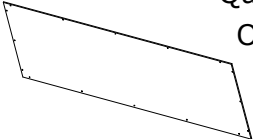
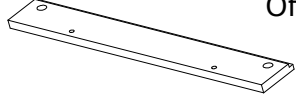
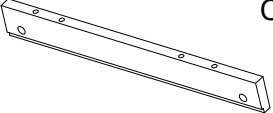
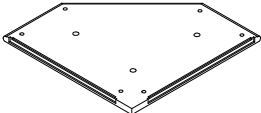
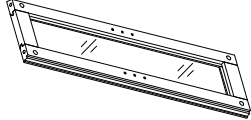
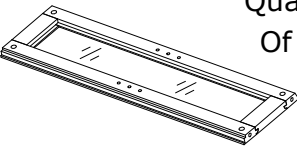
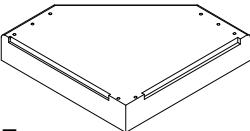
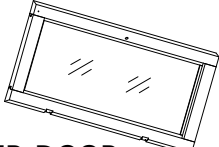
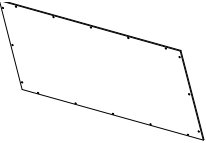
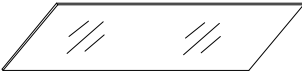

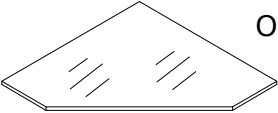
Please review all parts and hardware before disposing of any packaging. Call Customer Service if missing hardware. Do not return to store/retailer. Using a screw that is too long will cause damage. Before beginning assembly, separate each type of screw. Carefully study the screw diagrams below. You may receive extra hardware with your unit.

<p><b>(1)</b> Quantity Of 6</p>  <p>FLAT HEAD LONG SCREW</p>	<p><b>(2)</b> Quantity Of 5</p>  <p>WOOD DOWEL</p>	<p><b>(3)</b> Quantity Of 24</p>  <p>CAM BOLT</p>
<p><b>(4)</b> Quantity Of 24</p>  <p>CAM LOCK</p>	<p><b>(5)</b> Quantity Of 24</p>  <p>COVER</p>	<p><b>(6)</b> Quantity Of 31</p>  <p>FLAT HEAD SHORT SCREW</p>
<p><b>(7)</b> Quantity Of 5</p>  <p>HINGE</p>	<p><b>(8)</b> Quantity Of 2</p>  <p>MAGNET PLATE</p>	<p><b>(9)</b> Quantity Of 2</p>  <p>SMALL MACHINE SCREW</p>
<p><b>(10)</b> Quantity Of 2</p>  <p>METAL PLATE</p>	<p><b>(11)</b> Quantity Of 2</p>  <p>HANDLE</p>	<p><b>(12)</b> Quantity Of 72</p>  <p>ROUND HEAD SCREW</p>
<p><b>(13)</b> Quantity Of 2</p>  <p>MAGNET</p>	<p><b>(14)</b> Quantity Of 3</p>  <p>LARGE MACHINE SCREW</p>	<p><b>(15)</b> Quantity Of 15</p>  <p>SHELF SUPPORT</p>
<p><b>(16)</b> Quantity Of 1</p>  <p>METAL SHADE</p>	<p><b>(17)</b> Quantity Of 1</p>  <p>LIGHT</p>	<p><b>(18)</b> Quantity Of 1</p>  <p>TILTING PREVENT HARDWARE</p>

# LIGHTED CORNER CURIO

## Parts List

Please review all parts and hardware before disposing of any packaging. Call Customer Service if missing hardware. Do not return to store/retailer. Using a screw that is too long will cause damage. Before beginning assembly, separate each type of screw. Carefully study the screw diagrams below . You may receive extra hardware with your unit.

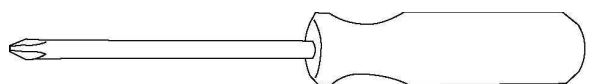
<p><b>A</b>  Quantity Of 1</p> <p>UPPER RIGHT BACK RAIL</p>	<p><b>B</b>  Quantity Of 1</p> <p>UPPER LEFT BACK RAIL</p>	<p><b>C</b>  Quantity Of 1</p> <p>TOP PANEL</p>
<p><b>D</b>  Quantity Of 1</p> <p>UPPER RIGHT SIDE PANEL</p>	<p><b>E</b>  Quantity Of 1</p> <p>UPPER LEFT SIDE PANEL</p>	<p><b>F</b>  Quantity Of 1</p> <p>UPPER SHELF</p>
<p><b>G</b>  Quantity Of 1</p> <p>UPPER DOOR</p>	<p><b>H</b>  Quantity Of 2</p> <p>UPPER BACK PANEL</p>	<p><b>I</b>  Quantity Of 1</p> <p>LOWER RIGHT BACK RAIL</p>
<p><b>J</b>  Quantity Of 1</p> <p>LOWER LEFT BACK RAIL</p>	<p><b>K</b>  Quantity Of 1</p> <p>LOWER SHELF</p>	<p><b>L</b>  Quantity Of 1</p> <p>LOWER RIGHT SIDE PANEL</p>
<p><b>M</b>  Quantity Of 1</p> <p>LOWER LEFT SIDE PANEL</p>	<p><b>N</b>  Quantity Of 1</p> <p>BASE</p>	<p><b>O</b>  Quantity Of 1</p> <p>LOWER DOOR</p>
<p><b>P</b>  Quantity Of 2</p> <p>LOWER BACK PANEL</p>	<p><b>Q</b>  Quantity Of 2</p> <p>LARGE BACK MIRROR</p>	<p><b>R</b>  Quantity Of 2</p> <p>SMALL BACK MIRROR</p>
<p><b>S</b>  Quantity Of 3</p> <p>GLASS SHELF</p>		

**Care and Cleaning Instructions:**

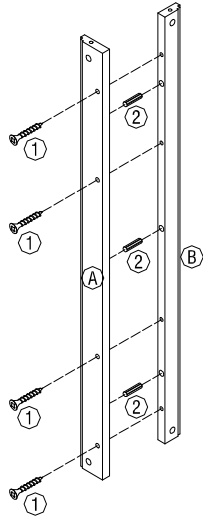
Before using, wipe with a clean, dry cloth. Periodically apply furniture wax to renew the finish . Avoid rubbing or scratching the surface with rough or abrasive objects.

For replacement parts or questions, please Call Customer Service at 1-800-633-5096 Do not return product to store, please call Manufacturer for assistance, questions or Parts.

**Assembly Tool Required**  
**No.2 Phillips Screwdriver (Not Included)**

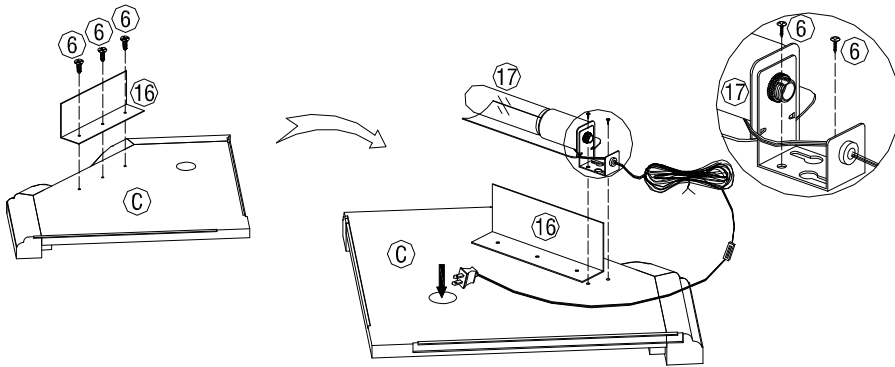


# LIGHTED CORNER CURIO Assembly Instructions



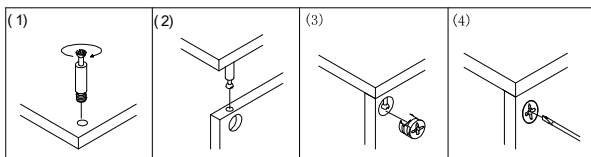
**Figure 1**

INSERT WOOD DOWELS (2) INTO PREDRILLED HOLES ON EDGE OF UPPER LEFT BACK RAIL (B) AND FIT INTO CORRESPONDING HOLES ON UPPER RIGHT BACK RAIL (A). INSERT FLAT HEAD LONG SCREWS (1) THROUGH PREDRILLED HOLES ON UPPER RIGHT BACK RAIL (A) AND TIGHTEN INTO CORRESPONDING HOLES ON UPPER LEFT BACK RAIL (B). AS SHOWN IN FIGURE 1

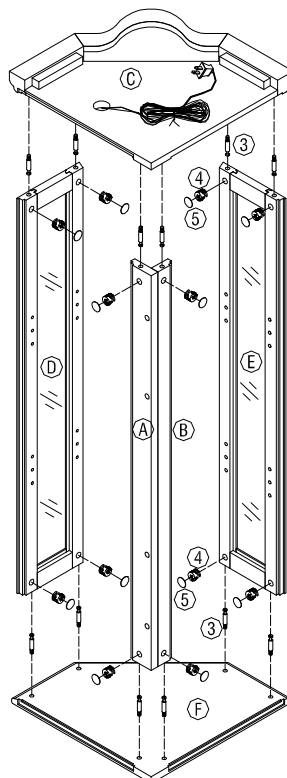


**Figure 2**

INSERT FLAT HEAD SHORT SCREWS (6) THROUGH METAL SHADE (16) AND TIGHTEN INTO PREDRILLED HOLES ON UNDERSIDE OF TOP PANEL (C). INSERT FLAT HEAD SHORT SCREWS (6) THROUGH THE HOLDER OF LIGHT (17) AND TIGHTEN INTO PREDRILLED HOLES ON UNDERSIDE OF TOP PANEL (C). LEAD THE POWER CORD ON THE LIGHT (17) THROUGH THE HOLE ON TOP PANEL (C) TO UPSIDE OF TOP PANEL (C). AS SHOWN IN FIGURE 2.



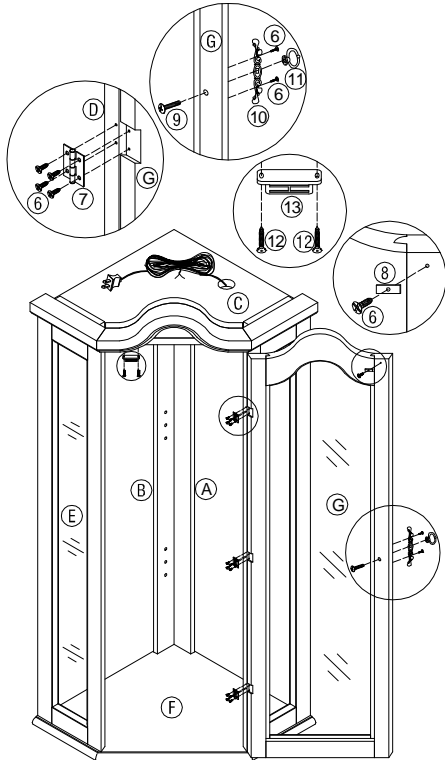
"Please do not over tighten cambolts.  
Please stop when you feel tight"



**Figure 3**

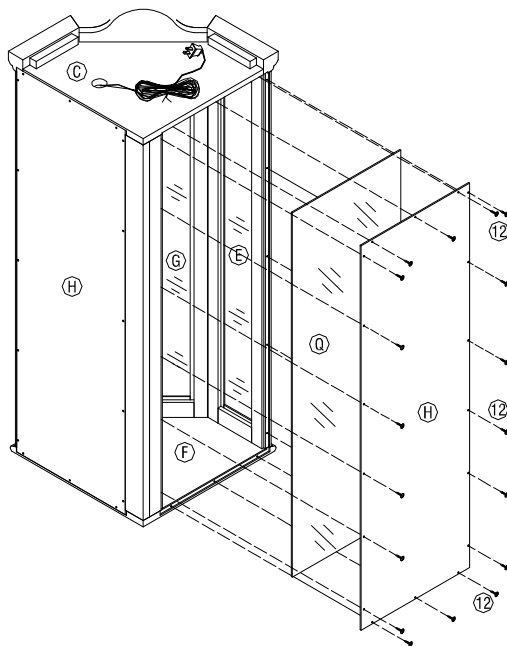
TIGHTEN CAM-BOLTS (3) INTO PREDRILLED HOLES ON UPSIDE OF UPPER SHELF (F) AND FIT INTO CORRESPONDING HOLES ON BOTTOM EDGES OF PARTS (A, B, D, E). INSERT CAM-LOCKS (4) INTO BIG HOLE ON PARTS (A, B, D, E) WITH SLOT FOR SCREWDRIVER FACING OUTWARD. ROTATE CAM-LOCKS (4) CLOCKWISE TO SECURE CAM-BOLTS (3). PUSH COVERS (5) INTO CAM-LOCKS (4). ASSEMBLE TOP PANEL (C) IN SAME MANNER. AS SHOWN IN FIGURE 3.

# LIGHTED CORNER CURIO Assembly Instructions



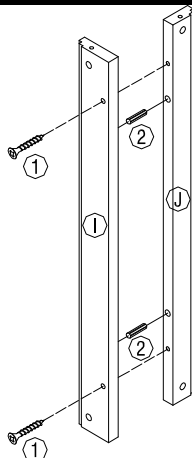
**Figure 4**

INSERT FLAT HEAD SHORT SCREW (6) THROUGH MAGNET PLATE (8) AND TIGHTEN INTO PREDRILLED HOLE ON UPPER DOOR (G). INSERT FLAT HEAD SHORT SCREWS (6) THROUGH METAL PLATE (10) AND TIGHTEN INTO PREDRILLED HOLES ON UPPER DOOR (G). INSERT SMALL MACHINE SCREW (9) THROUGH PREDRILLED HOLES ON UPPER DOOR (G), METAL PLATE (10) AND TIGHTEN INTO HANDLE (11). INSERT FLAT HEAD SHORT SCREWS (6) THROUGH THE HOLES ON HINGES (7) AND TIGHTEN INTO PREDRILLED HOLES ON EDGES OF UPPER RIGHT SIDE PANEL (D) AND UPPER DOOR (G). INSERT ROUND HEAD SCREWS (12) THROUGH END OF MAGNET (13) AND TIGHTEN INTO PREDRILLED HOLES ON UNDERSIDE OF TOP PANEL (C). AS SHOWN IN FIGURE 4.



**Figure 5**

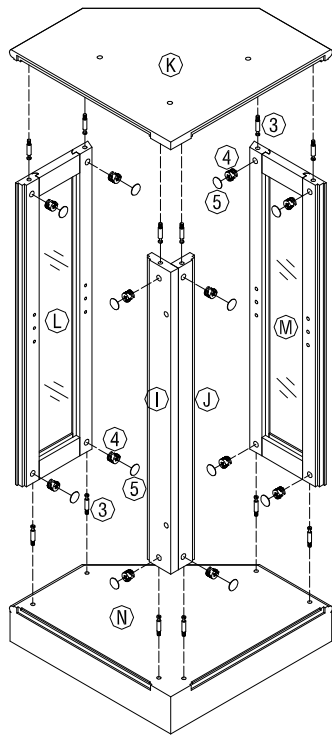
PLEASE BE CAREFULLY ATTACH LARGE BACK MIRRORS (Q) INTO GROOVES OF PARTS (A, B, C, D, E, F), AND ATTACH UPPER BACK PANELS (H) INTO SLOTS OF REAR EDGES OF PARTS (A, B, C, D, E, F). INSERT ROUND HEADSCREWS (12) THROUGH PREDRILLED HOLES ON UPPER BACK PANELS (H) AND TIGHTEN INTO CORRESPONDING HOLES ON REAR EDGES OF PARTS (A, B, C, D, E, F). AS SHOWN IN FIGURE 5.



**Figure 6**

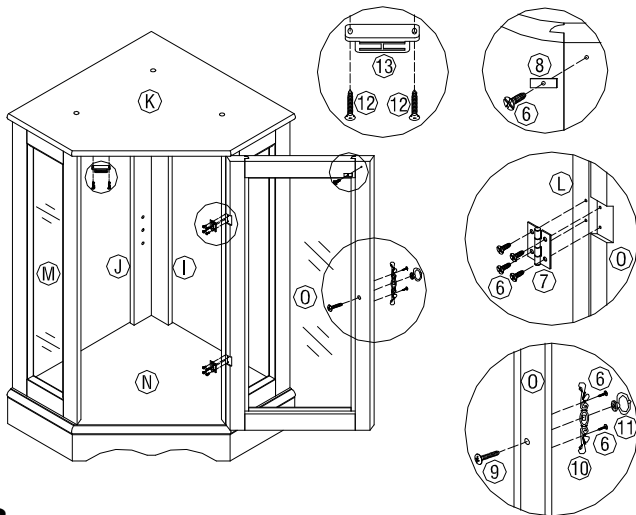
INSERT WOOD DOWELS(2) INTO PREDRILLED HOLES ON EDGE OF LOWER LEFT BACK RAIL(J) AND FIT INTO CORRESPONDING HOLES IN LOWER RIGHT BACK RAIL(I).INSERT FLAT HEAD LONG SCREWS(1) THROUGH PREDRILLED HOLES ON LOWER RIGHT BACK RAIL(I) AND TIGHTEN INTO CORRESPONDING HOLES ON LOWER LEFT BACK RAIL(J).AS SHOWN IN FIGURE(6).

# LIGHTED CORNER CURIO Assembly Instructions



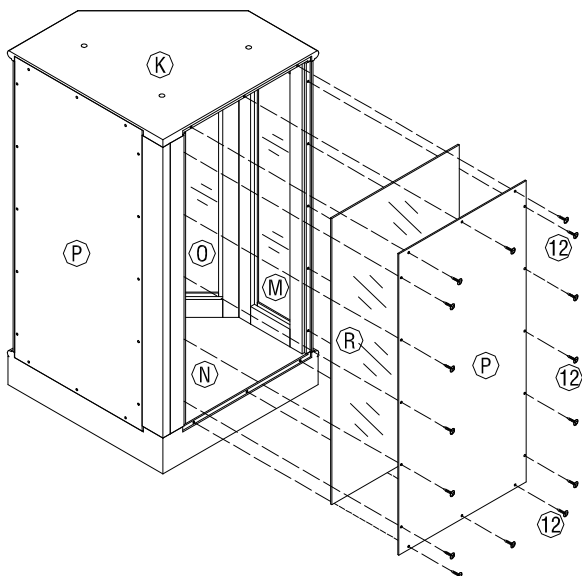
**Figure 7**

TIGHTEN CAM-BOLTS (3) INTO PREDRILLED HOLES ON UPSIDE OF BASE (N) AND FIT INTO CORRESPONDING HOLES ON BOTTOM EDGES OF PARTS (I,J,L,M). INSERT CAM-LOCKS(4) INTO BIG HOLE ON PARTS(I,J,L,M) WITH SLOT FOR SCREWDRIVER FACING OUTWARD. ROTATE CAM-LOCKS (4) CLOCKWISE TO SECURE CAM-BOLTS(3). PUSH COVERS (5) INTO CAM-LOCKS(4). ASSEMBLE LOWER SHELF(K) IN SAME MANNER. AS SHOWN IN FIGURE 7.



**Figure 8**

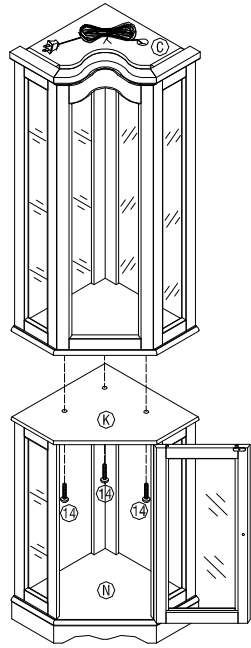
INSERT FLAT HEAD SHORT SCREW (6) THROUGH MAGNET PLATE (8) AND TIGHTEN INTO PREDRILLED HOLE ON LOWER DOOR (O). INSERT FLAT HEAD SHORT SCREWS(6) THROUGH METAL PLATE(10) AND TIGHTEN INTO PREDRILLED HOLES ON LOWER DOOR(O) .INSERT SMALL MACHINE SCREW(9) THROUGH PREDRILLED HOLES ON LOWER DOOR(O),METAL PLATE (10) AND TIGHTEN INTO HANDLE(11). INSERT FLAT HEAD SHORT SCREWS(6) THROUGH THE HOLES ON HINGES(7) AND TIGHTEN INTO PREDRILLED HOLES ON EDGES OF LOWER RIGHT SIDE PANEL(L) AND LOWER DOOR(O).INSERT ROUND HEAD SCREWS(12) THROUGH END OF MAGNET(13) AND TIGHTEN INTO PREDRILLED HOLES ON UNDERSIDE OF LOWER SHELF(K). AS SHOWN IN FIGURES.



**Figure 9**

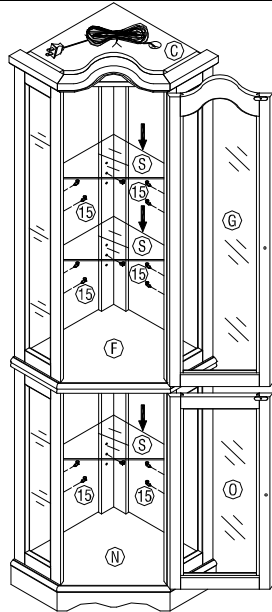
PLEASE BE CAREFULLY ATTACH SMALL BACK MIRROR(R) INTO GROOVES OF PARTS(I,J,K,L,M,N),AND ATTACH LOWER BACK PANELS(P) INTO SLOTS OF REAR EDGES OF PARTS(I,J,K,L,M,N).INSERT ROUND HEADSCREWS(12) THROUGH PREDRILLED HOLES ON LOWER BACK PANELS(P) AND TIGHTEN INTO CORRESPONDING HOLES ON REAR EDGES OF PARTS(I,J,K,L,M,N).AS SHOWN IN FIGURE 9.

# LIGHTED CORNER CURIO Assembly Instructions



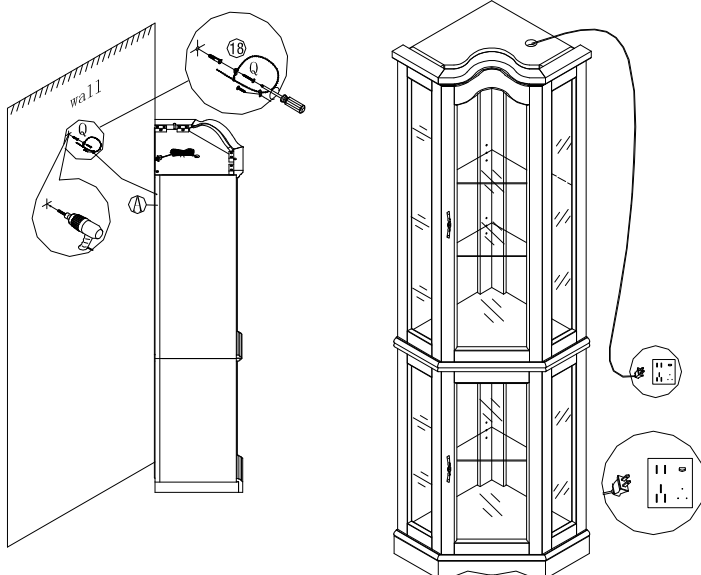
**Figure 10**

WITH AN ASSISTANT, PLACE UPPER CABINET ONTO LOWER CABINET, AND TIGHTEN LARGE MACHINE SCREWS (14) THROUGH PREDRILLED HOLES ON LOWER SHELF (K) INTO THREADED HOLES ON UNDERSIDE OF UPPER SHELF (F). AS SHOWN IN FIGURE 10.



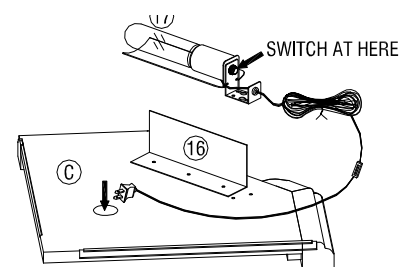
**Figure 11**

FIT SHELF SUPPORTS (15) INTO PREDRILLED HOLES ON INSIDE OF PARTS (A, B, D, E, I, J, L, M), AND PUT GLASS SHELVES (S) ON EACH SHELF SUPPORTS (15). AS SHOWN IN FIGURE 11.



**Figure 12**

FIT THE PLUG TO THE APPROPRIATE POWER SOURCE AND THE LIGHT IS READY TO BE LIT. TURN THE LIGHT **ON** AND **OFF** BY TURNING THE SWITCH ON THE SIDE OF LIGHT FIXTURE. AS SHOWN IN FIGURE 12.



# Parts Replacement Form

## Customer Information

Name \_\_\_\_\_

Address \_\_\_\_\_

City/State/Zip Code \_\_\_\_\_

Phone Number \_\_\_\_\_

Please indicate where you purchased this item: Store/Website/Catalog

Please indicate color/size/style number:

Style No	Parts Letter	Parts Description	Quantity Needed
_____	_____	_____	_____
_____	_____	_____	_____

Please immediately examine this product carefully. Any request for missing parts or damage replacement must be received within 90 days of your receipt of the product. Replacement, if available, will be honored within this time frame. Parts will not be available for items arriving fully assembled. We do not recommend modifying product(s) and we are not responsible for any damages due to product modification(s). If damages or missing parts are not reported within 90 days of your receipt, we are under no obligation to provide parts or replacement merchandise.

Please contact Southern Enterprises at 800-633-5096 or in Dallas 972-869-0111/ 9am – 4pm Mon-Fri Central time if you have product issues or email us at [service@seidal.com](mailto:service@seidal.com). Please ask for customer service representative for issues involving damages or replacement parts. Please ask for technical assistance representative for any issues with product and assembly/construction.

Please contact the retailer that you purchased from for returns.



Customer Service 1-800-633-5096

[service@seidal.com](mailto:service@seidal.com)

Southern Enterprises, Inc.

600 Freeport Parkway, Suite 200

Coppell, Texas 75019



## **WARNING:**

- USE THE PROPER BULB AND THE PROPER POWER SUPPLY LABELED ON THE LAMP HOLDER.
- **THIS PRODUCT CAN ONLY BE USED INDOORS.**

## **IMPORTANT SAFETY INSTRUCTIONS**

WHEN USING ELECTRICAL PRODUCTS, BASIC PRECAUTIONS SHOULD ALWAYS BE FOLLOWED INCLUDING THE FOLLOWING.

### **READ AND FOLLOW ALL SAFETY INSTRUCTIONS**

- DO NOT USE SEASONAL PRODUCTS OUTDOORS UNLESS MARKED SUITABLE FOR INDOOR AND OUTDOOR USE. WHEN PRODUCTS ARE USED IN OUTDOOR APPLICATIONS, CONNECT THE PRODUCT TO A GROUND FAULT CIRCUIT INTERRUPTING (GFCI) OUTLET. IF ONE IS NOT PROVIDED, CONTACT A QUALIFIED ELECTRICIAN FOR PROPER INSTALLATION.
- THIS SEASONAL USE PRODUCT IS NOT INTENDED FOR PERMANENT INSTALLATION OR USE.
- DO NOT MOUNT OR PLACE NEAR GAS OR ELECTRIC HEATERS, FIREPLACE, CANDLES OR OTHER SIMILAR SOURCES OF HEAT.
- DO NOT OPERATE WHERE AEROSOL (SPRAY) PRODUCTS ARE BEING USED OR WHERE OXYGEN IS BEING ADMINISTERED.
- DO NOT LET LAMPS REST ON THE SUPPLY CORD OR ON ANY WIRE.
- UNPLUG THE PRODUCT WHEN LEAVING THE HOUSE, WHEN RETIRING FOR THE NIGHT, OR IT LEFT UNATTENDED.
- CLOSE SUPERVISION IS NECESSARY WHEN THIS APPLIANCE IS USED BY, OR NEAR
- CHILDREN, INVALIDS, OR DISABLED PERSONS.
- USE THIS APPLIANCE ONLY FOR ITS INTENDED USE AS DESCRIBED IN THIS MANUAL. DO NOT USE ATTACHMENTS NOT RECOMMENDED BY THE MANUFACTURER.
- DO NOT HANG ORNAMENTS OR OTHER OBJECTS FROM CORD, WIRE, OR LIGHT STRING.
- NEVER OPERATE THE APPLIANCE IF IT HAS A DAMAGED CORD OR PLUG, IF IT IS NOT
- WORKING PROPERLY, IF IT HAS BEEN DROPPED OR DAMAGED. RETURN THE FURNISHING TO A SERVICE CENTER FOR REPAIR.
- TO DISCONNECT, TURN ALL CONTROLS TO THE OFF POSITION, THEN REMOVE PLUG FROM OUTLET.
- READ AND FOLLOW ALL INSTRUCTIONS THAT ARE ON THE PRODUCT OR PROVIDED WITH THE PRODUCT.
  
- BEFORE USING OR REUSING, INSPECT PRODUCT CAREFULLY. DISCARD ANY PRODUCTS THAT HAVE CUT, DAMAGED, OR FRAYED WIRE INSULATION OR CORDS, CRACKS IN THE LAMP HOLDERS OR ENCLOSURES, LOOSE CONNECTIONS, OR EXPOSED COPPER WIRE.
- WHEN STORING THE PRODUCT, CAREFULLY REMOVE THE PRODUCT FROM WHEREVER IT IS PLACED, INCLUDING TREES, BRANCHES, OR BUSHES, TO AVOID ANY UNDUE STRAIN OR STRESS ON THE PRODUCT CONDUCTORS, CONNECTIONS AND WIRES.
- WHEN NOT IN USE, STORE NEATLY IN A COOL, DRY LOCATION PROTECTED FROM SUNLIGHT.

**SAVE THESE INSTRUCTIONS**