



### Product Application

Ozark River Portable Sinks are designed to assist individuals and businesses comply with hand washing codes and regulations by placing hand washing at the point of contact.

**The Silver Advantage Series offers extra counter space and locking storage. This model is appropriate for these compliance application types:**

- Food and Beverage Serving or Mall Kiosks
- Hospitality
- Catering Events
- Cafeterias
- Mobile Trailers
- Classrooms and Schools
- Medical Exam Rooms
- Lab and Testing Facilities
- Trade Shows, etc.



### Standard Features

- Self-Contained Portable Sink
- On-Demand Hot Water System
- Multiple Basin Options
- All Stainless Steel Top and Basin
- Phthalate and Lead Free Melamine Cabinet
- Cabinet Colors: Maple or Cherry
- 5 Gal. Fresh and 6 Gal. Gray (Water Tanks)
- Liquid Soap Dispenser
- Heavy-Duty 3" Swivel Casters, Front Locking
- Locking Sink Cabinet
- Locking Storage
- Long Faucet Handles (ADA Compliant)
- GFCI Outlet Protection
- Exclusive Quick-Connect Tank System



Quick Connect Tank System



Soap Dispenser



Easy Fill Water Tanks  
1- 5 Gallon Fresh  
1- 6 Gallon Waste

### Standard Operating Requirements

- Each sink must have grounded, dedicated 110V, 20A circuit breaker
- Dry, inside level surface
- If extension cord is used, cord must be 12/3, rated at 20A or higher
- Water must meet EPA Standards with PH between 7.0 and 9.0.



ADAVM-SS-SS1N  
ADAVC-SS-SS1N (Shown)



ADAVM-SS-BSC (Shown)  
ADAVC-SS-BSC



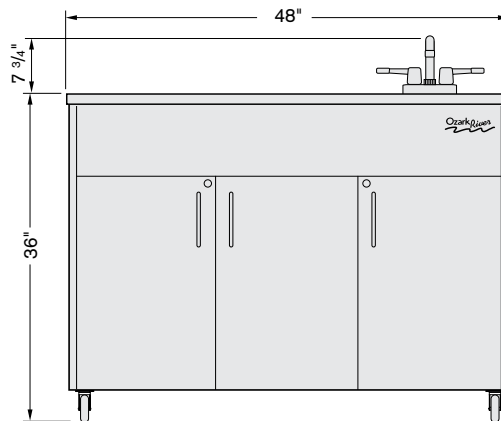
ADAVM-SS-SS1DN (Shown)  
ADAVC-SS-SS1DN



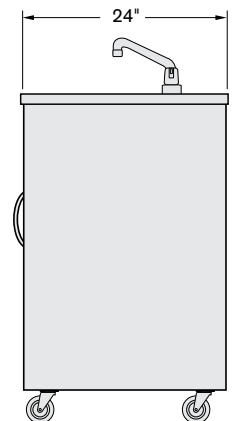
ADAVM-SS-SS2N (Shown)  
ADAVC-SS-SS2N



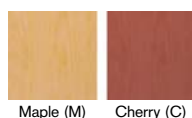
ADAVM-SS-SS3N (Shown)  
ADAVC-SS-SS3N



FRONT



SIDE



AUTOQUOTES

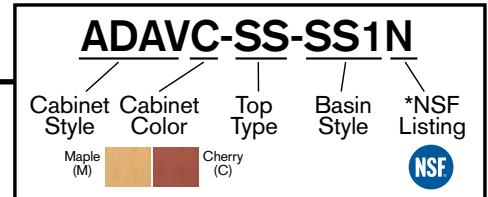


# Quick Guide

## Silver Advantage Series

### Portable Hot Water Hand Washing Stations with Storage

How Our Model Numbers Work



\* If "N" is not included in the Model Number, the product is not NSF Certified.

Model Number	ADAVM-SS-BSC / ADAVC-SS-BSC
Model Name	Silver Advantage Basic
Number of Basins	N/A
Basin Material	N/A
Basin Dimensions	N/A
Top Material	Stainless Steel
Cabinet Dimensions	48" W x 24" D x 36" H
Cabinet Material	Phthalate and Lead Free Melamine
Cabinet Colors	Maple or Cherry
Product Weight	145 lbs.
NSF Certified	No
GPM	N/A
Fresh Water Tank	N/A
Waste Water Tank	N/A
Approx Hand Washings	N/A
Electrical Requirements	N/A
Warranty	2 Years

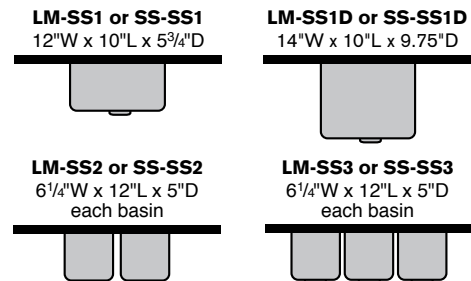
Model Number	ADAVM-SS-SS1N / ADAVC-SS-SS1N
Model Name	Silver Advantage 1
Number of Basins	Single
Basin Material	Stainless Steel
Basin Dimensions	12" W x 10" L x 5.75" D
Top Material	Stainless Steel
Cabinet Dimensions	48" W x 24" D x 36" H
Cabinet Material	Phthalate and Lead Free Melamine
Cabinet Colors	Maple or Cherry
Product Weight	190 lbs.
NSF Certified	Yes
GPM	0.50
Fresh Water Tank	5 Gallon
Waste Water Tank	6 Gallon
Approx Hand Washings	40 qty. 15 second hand washings
Electrical Requirements	110V, 20A Dedicated Outlet and Breaker
Warranty	2 Years

Model Number	ADAVM-SS-SS1DN / ADAVC-SS-SS1DN
Model Name	Silver Advantage 1D
Number of Basins	Single Deep
Basin Material	Stainless Steel
Basin Dimensions	14" Dia. x 10" L x 9.75" D
Top Material	Stainless Steel
Cabinet Dimensions	48" W x 24" D x 36" H
Cabinet Material	Phthalate and Lead Free Melamine
Cabinet Colors	Maple or Cherry
Product Weight	190 lbs.
NSF Certified	Yes
GPM	0.50
Fresh Water Tank	5 Gallon
Waste Water Tank	6 Gallon
Approx Hand Washings	40 qty. 15 second hand washings
Electrical Requirements	110V, 20A Dedicated Outlet and Breaker
Warranty	2 Years

Model Number	ADAVM-SS-SS2N / ADAVC-SS-SS2N
Model Name	Silver Advantage 2
Number of Basins	Double
Basin Material	Stainless Steel
Basin Dimensions	6.125" W x 12.00" L x 5.00" D (each basin)
Top Material	Stainless Steel
Cabinet Dimensions	48" W x 24" D x 36" H
Cabinet Material	Phthalate and Lead Free Melamine
Cabinet Colors	Maple or Cherry
Product Weight	190 lbs.
NSF Certified	Yes
GPM	0.50
Fresh Water Tank	5 Gallon
Waste Water Tank	6 Gallon
Approx Hand Washings	40 qty. 15 second hand washings
Electrical Requirements	110V, 20A Dedicated Outlet and Breaker
Warranty	2 Years

Model Number	ADAVM-SS-SS3N / ADAVC-SS-SS3N
Model Name	Silver Advantage 3
Number of Basins	Triple
Basin Material	Stainless Steel
Basin Dimensions	6.125" W x 12.00" L x 5.00" D (each basin)
Top Material	Stainless Steel
Cabinet Dimensions	48" W x 24" D x 36" H
Cabinet Material	Phthalate and Lead Free Melamine
Cabinet Colors	Maple or Cherry
Product Weight	190 lbs.
NSF Certified	Yes
GPM	0.50
Fresh Water Tank	5 Gallon
Waste Water Tank	6 Gallon
Approx Hand Washings	40 qty. 15 second hand washings
Electrical Requirements	110V, 20A Dedicated Outlet and Breaker
Warranty	2 Years

#### Basin Dimensions



Design, colors, prices, options and features are subject to change without notice.

