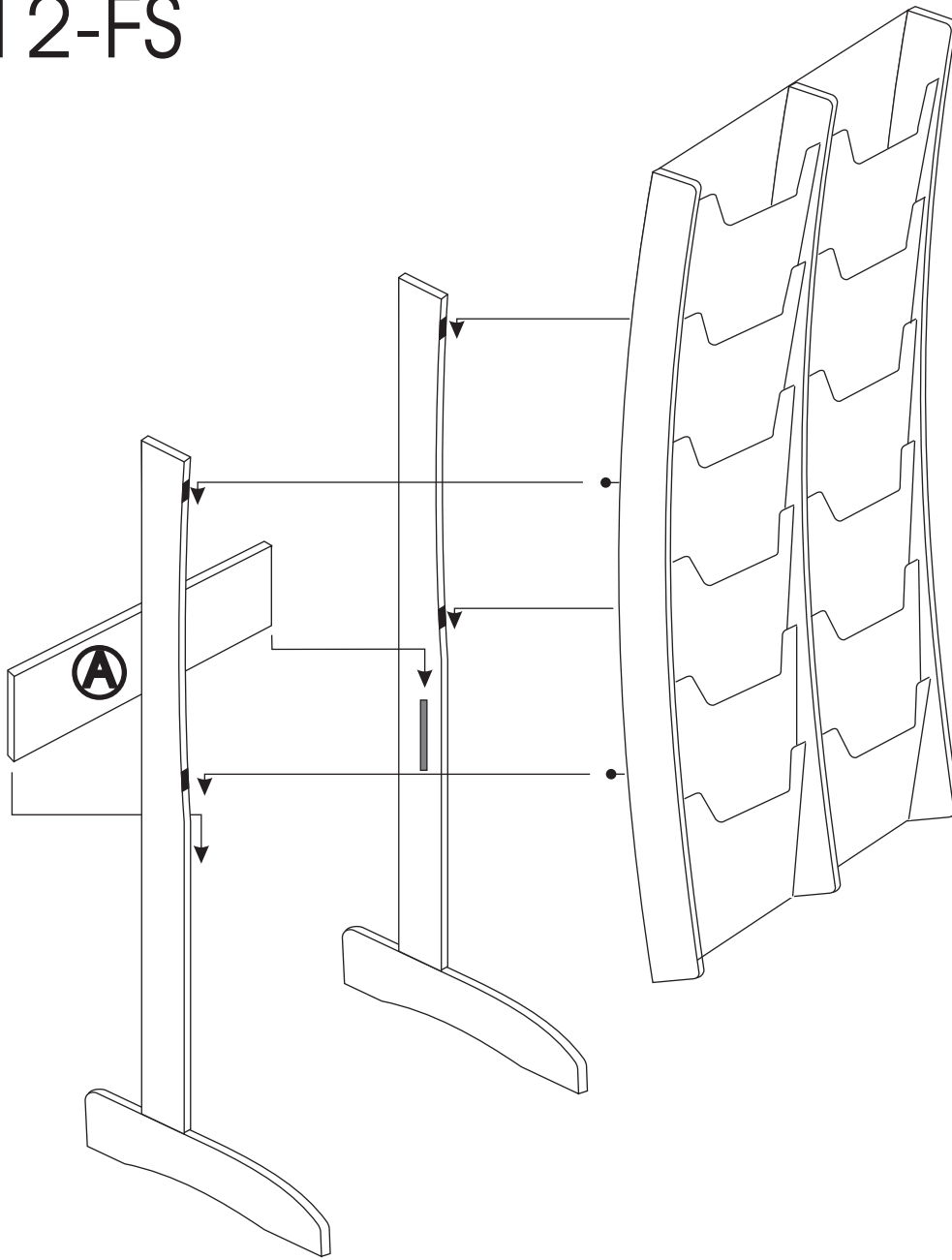


# AC12-FS



- 1) Slide brace (A) down into gray metal brackets on floor stand legs. Tap down until snug.
- 2) Using two people, align screws on back of rack with black brackets on floor stand legs. Slide rack down about one inch to settle rack in brackets. The weight of the rack is enough to set screws into brackets. Make sure all four screws are in the brackets.