

 herckē[®]
SERIES 7EVEN[®]

ASSEMBLY INSTRUCTIONS

Work Surfaces

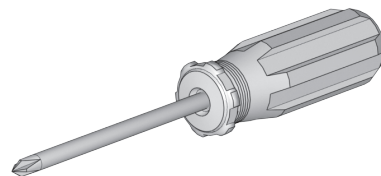
30", 60", 90"

Assembly Instructions Overview

Please read this brief overview before assembling your Hercke Series 7even system. What follows is an outline of the order in which your assembly process needs to occur.

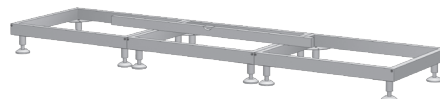
1

A Phillips head N0. 2 screwdriver is the only tool required to assemble Hercke® Series 7even® products. Depending on your installation requirements, other tools that may be helpful include a level, power drill and drill bits.



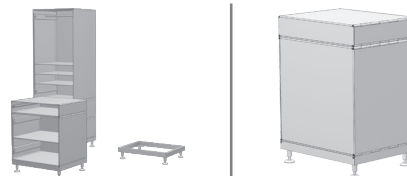
2

Assemble all platforms. Place platform in the desired location. Level each platform and make sure all platforms are level together.



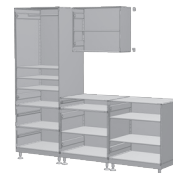
3

Pull platform out allowing yourself room to get behind the platform. Assemble cases. Stack cases and drawers on platforms in a single stack. Add Single E-Clips to the backside of cases and drawers. Slide the stack back into their final level position.



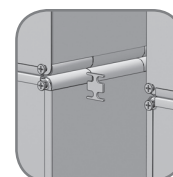
4

Assemble Overhead Storage Cases. Select overhead cabinet placement. Attach case using Wall Mount System or Channel Mount System.



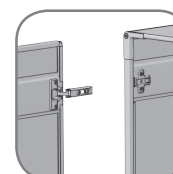
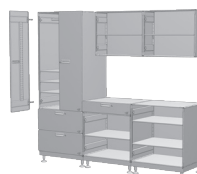
5

Fasten Single and Double E-Clips to adjoin cases and drawer modules.



6

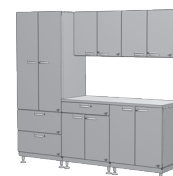
Snap door hinges to case hinge plates and adjust door positions.



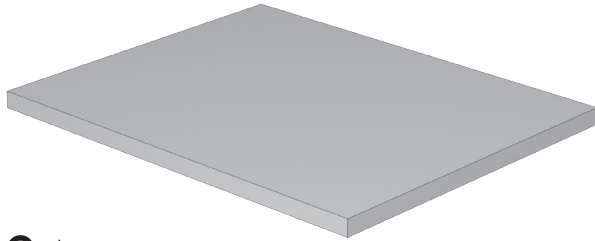
7

Attach work surface.

Chaos Defeated. Order Restored.



PARTS



A x1 pcs
Work Surface (90", 60" or 30" widths)



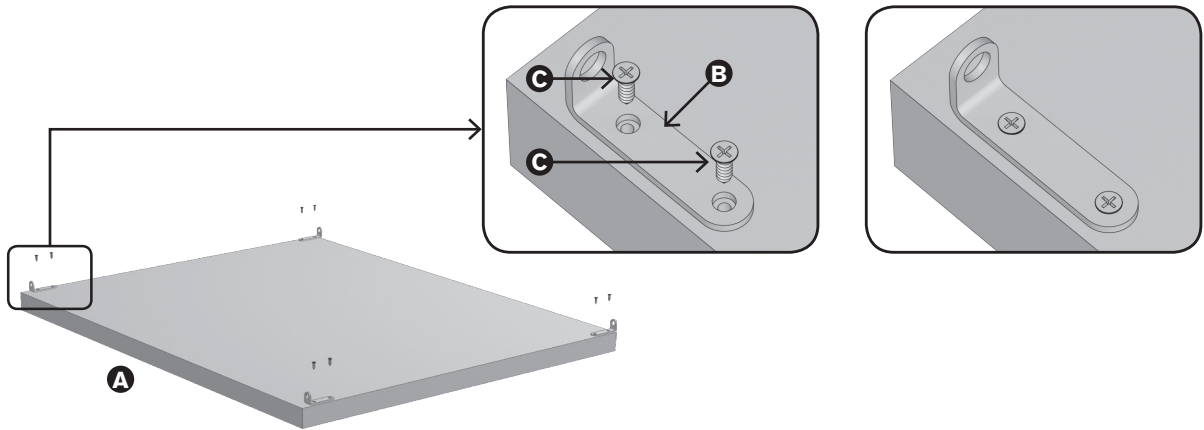
B x4 pcs (x8 pcs for
60" and 90" widths)
Work Surface Bracket



C x4 pcs (x16 pcs for
60" and 90" widths)
#8 x 3/4"
#2 Phillips Pan Head Screw

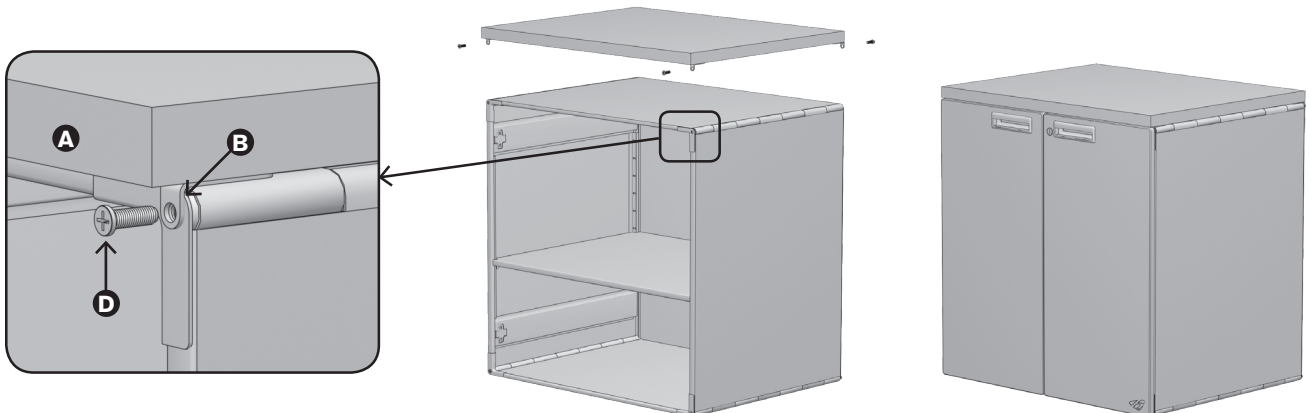
1

- A** Place work surface **A** topside down as illustrated below. Place on a soft surface to avoid scratching the top.
- B** Place the work surface brackets **B** at each of the 4 outside corners. It is not necessary to install the brackets at any of the other pre drilled locations unless you are installing a hanging drawer or will be applying a lot of torque at a specific location (such as a vise).
- C** Attach the brackets **B** using the #8 x 3/4" phillips pan head screws **C** into the pre drilled hole locations.



2

- A** Remove doors and drawers as necessary.
- B** Remove the rod screws **D** at each of the locations you will attaching the work surface brackets to the case(s).
- C** Place the work surface **A** on top of the case(s), align the bracket holes **B** with the rod holes.
- D** Reinstall the rod screws **D** through the brackets as illustrated below.
- E** Attach doors and insert drawers as necessary.



CLEANING AND CARE

Clean stainless steel surfaces using dry soft cotton cloth and stainless steel polish, buffing vertically with the line finish of the stainless steel.

Clean painted surfaces and coated surfaces using a mild dish soap and warm water solution. **DO NOT** use abrasive cleaners, glass cleaners, solvent based cleaners or furniture polish.



www.hercke.com | 866.767.3905 ext.16

Please visit **www.hercke.com** to download these instructions in your preferred language.