

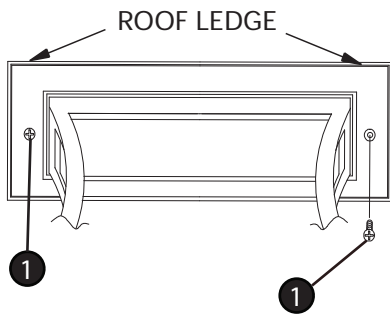
I.S.148X glass installation

I.S. 1481
I.S. 1482
I.S. 1487

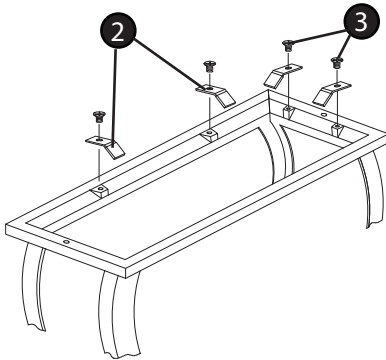
Family: Richmond | 1481 / 1482 / 1487

▼ start here

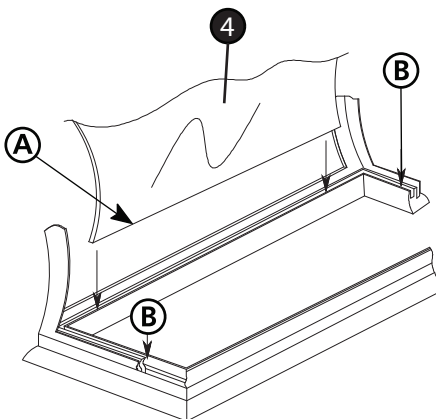
Drawing 1 - Glass Installation



Drawing 2 - Glass Installation



Drawing 3 - Glass Installation



1. To install the glass is first necessary to remove the roof from the fixture. this is accomplished by remove the 2 phillip head screws (1), located under the roof ledge -see Drawing 1.

1

1. First remove the glass clips (2) from the top of the cage, by removing phillips head screws (3). Set screws and clips aside for use later - see Drawing 2.

2

2. It is necessary to install glass panels in a particular order.

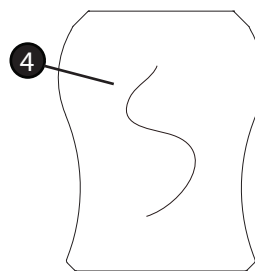
3. First install the large panel of glass (4) by slipping the glass into the cage. Tilting panel back slightly and slipping the bottom edge (A) into slot (B) located at the bottom of the cage - see Drawing 3.

4. Install glass clips (2) removed earlier to secure glass in cage.

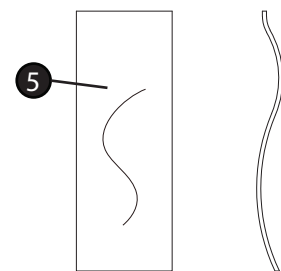
5. Continue installing glass panels as outlined above, in this order. Large panels (4) first. Panels are numbered 1 and 2.

6. Small side panels (5) are installed using the same method as the large panels. The side panels are number 3 and 4. Make sure to match the curvature of the glass to the cage, before slipping them in.

6. After all the glass in installed. Fixture can be lamped accordingly and the roof installed.



large flat panels
installed first
(panel nos.1 and 2)



curved side
panels installed last
(panel nos. 3 and 4)

match
curve
with
cage

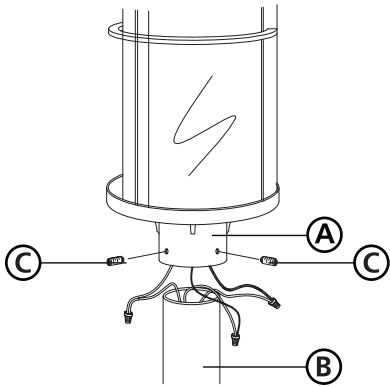
Note: Max wattage for 1480 /1481/1482/1484 /1485/1487 fixture is 60 watts

01.01.12

Family: Richmond | Item No. 1481 / 1487

▼ start here

Drawing 1 - Fixture Mounting



1

1. Find a clear area in which you can work.
2. Unpack fixture and glass from carton.
3. Carefully review instructions prior to assembly.

1. Fixture is mounted using 3 screws.
2. Make all necessary electrical connections following wiring instructions provided.

2

SAFETY WARNING: READ WIRING AND GROUNDING INSTRUCTIONS (I.S. 18) AND ANY ADDITIONAL DIRECTIONS. TURN POWER SUPPLY OFF DURING INSTALLATION. IF NEW WIRING IS REQUIRED, CONSULT A QUALIFIED ELECTRICIAN OR LOCAL AUTHORITIES FOR CODE REQUIREMENTS.

Make electrical connections from supply wire to fixture lead wires. Refer to instruction sheet (I.S. 18) and follow all instructions to make all necessary wiring connections. Then refer back to this sheet to continue installation of this fixture.

3

1. After wiring connections are complete, slip post fitter (A) over top of pre-installed post (B) making sure all wire connections are tucked inside the pole - see Drawing 1.
2. When fixture is slipped over pole make sure no wires are being pinched between the top edge of the pole and the inside of the post fitter.
3. Thread the 3 set screws (C) into pre-tapped holes in post fitter.
4. Tighten screws (C) to secure fixture to post.

Note: Maximum wattage for 1481 / 1487 fixture is 60 watts per bulb.

01.01.12