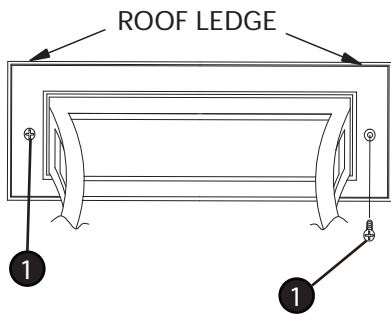
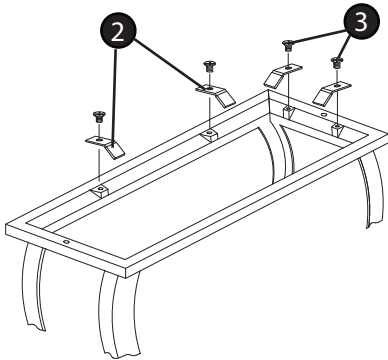


▼ start here

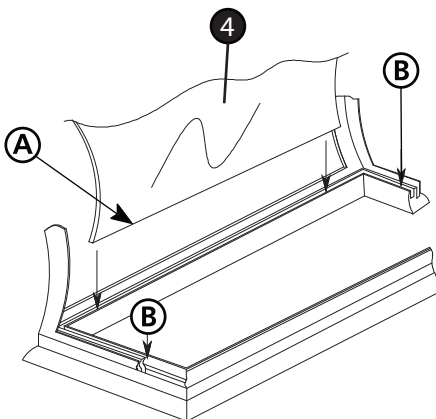
Drawing 1 - Glass Installation



Drawing 2 - Glass Installation



Drawing 3 - Glass Installation



1. To install the glass is first necessary to remove the roof from the fixture. this is accomplished by remove the 2 phillip head screws (1), located under the roof ledge -see Drawing 1.

1

1. First remove the glass clips (2) from the top of the cage, by removing phillips head screws (3). Set screws and clips aside for use later - see Drawing 2.

2

2. It is necessary to install glass panels in a particular order.

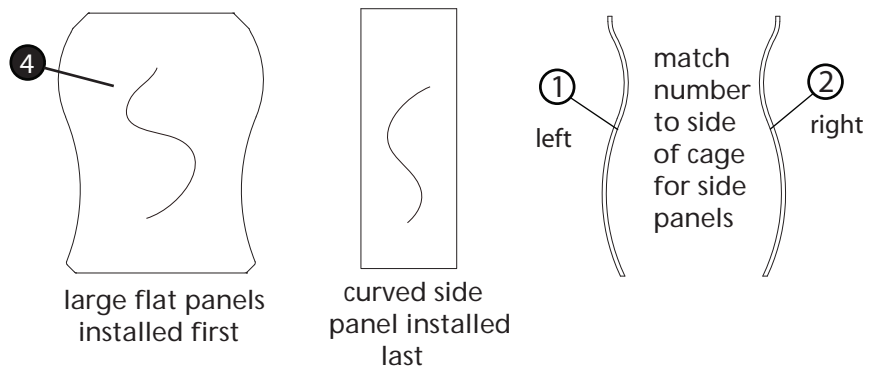
3. First install the large panel of glass (4) by slipping the glass into the cage. Tilting panel back slightly and slipping the bottom edge (A) into slot (B) located at the bottom of the cage - see Drawing 3.

4. Install glass clips (2) removed earlier to secure glass in cage.

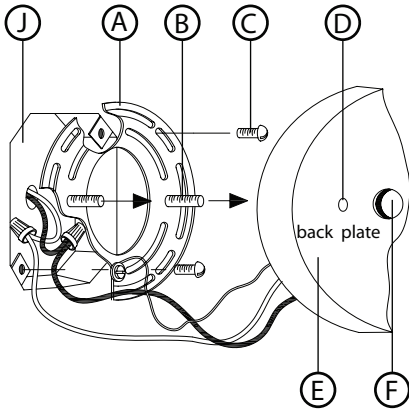
5. Continue installing glass panels as outlined above, in this order. Large panels first, small side panels, after all large panels are installed.

6. Small side panels (5) are installed using the same method as the large panels. Small panels are numbered 1 and 2. When looking at front of the fixture panel 1 is installed on the left, 2 on the right.

6. After all the glass in installed. Fixture can be lamped accordingly and the roof installed.



Drawing 1 - Fixture Mounting



▼ start here

1

1. Find a clear area in which you can work.
2. Unpack fixture and glass from carton.
3. Carefully review instructions prior to assembly.

*** The construction of this fixture will be accomplished by first mounting the mounting strap to the junction box, making all necessary electrical connections, mounting the fixture to the wall, and then lamping the fixture.

2

1. Prepare mounting strap (A) by threading the two long mounting screws (B) into the back of the mounting strap (A) - see Drawing 1.

- Be sure the holes into which the screws are threaded match the spacing of holes (D) in the backplate (E).

2. Attach mounting strap (A) to junction box (J) using two short screws (C).

SAFETY WARNING: READ WIRING AND GROUNDING INSTRUCTIONS (I.S. 18) AND ANY ADDITIONAL DIRECTIONS. TURN POWER SUPPLY OFF DURING INSTALLATION. IF NEW WIRING IS REQUIRED, CONSULT A QUALIFIED ELECTRICIAN OR LOCAL AUTHORITIES FOR CODE REQUIREMENTS.

3

Make electrical connections from supply wire to fixture lead wires. Refer to instruction sheet (I.S. 18) and follow all instructions to make all necessary wiring connections. Then refer back to this sheet to continue installation of this fixture.

4

1. To mount fixture, slip the two mounting screws (B) through the two mounting holes (D) in the backplate (E) - see Drawing 1.
2. While holding fixture in place, thread the two ball knobs (F) on to the end of the mounting screws (B), and tighten.

Note: Maximum wattage for 1480 / 1484 / 1485 fixture is 60 watts bulb.

01.01.12