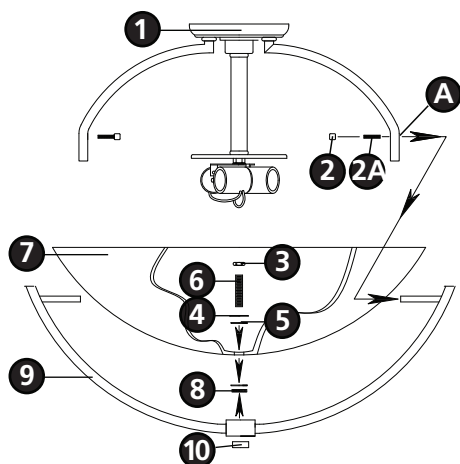


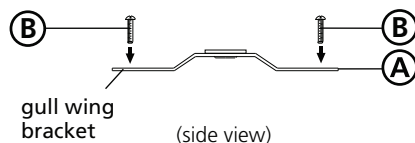
Family: Valley | Item No. 4702

▼ start here

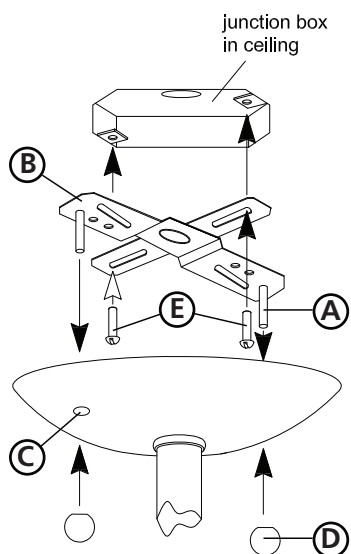
Drawing 1 - Fixture Assembly



Drawing 2 - Strap Detail



Drawing 3 - Fixture Mounting



1

1. Find a clear area in which you can work.
2. Unpack fixture and glass from carton.
3. Carefully review instructions prior to assembly.

***** The construction of this fixture will be accomplished by first assembling the main body of the fixture, making all necessary electrical connections and then mounting the fixture to the ceiling.**

2

1. To assemble main body, thread hex nut (3) on one end of threaded tubing (6) approximately 1/4" - see **Drawing 1**.
2. Slip flat washer (4) onto other end of threaded tubing (6) and up against hex nut (3).
3. Slip plastic washer (5) onto threaded tubing (6) and up against flat washer (4).
4. Slip threaded tube (6) through center hole in glass (7).
5. Slip second flat washer (4) onto center stem and hold in position, thread knurl nut (8) onto end of threaded tubing (6) and tighten against glass (7).
6. Slip spider assembly (9) onto threaded tubing (6).
7. Thread finial (10) onto end of threaded tubing (6) and tighten to secure spider assembly (9) to glass (7).
8. Line up the holes in the arms of spider assembly (9) with holes in the arms of main body assembly (1).
9. Thread barrel knob (2) onto end of stud (2A) and then slip through hole (A) in upright, and thread into hole (B) of spider assembly. Repeat for remaining 2 arms to secure glass.
10. Fixture can now be lamped accordingly.

3

1. Thread two long 8-32 screws (A) provided into the mounting strap (B). Note: the 2 screws should be threaded into the gull wing shaped part of the mounting strap. With the flat part of strap facing up. Make sure screws are threaded into holes that line up with the holes in the canopy (C) - see **Drawing 2**.
2. Attach mounting strap to junction box with 2 short 8-32 screws (E) provided.

SAFETY WARNING: READ WIRING AND GROUNDING INSTRUCTIONS (I.S. 18) AND ANY ADDITIONAL DIRECTIONS. TURN POWER SUPPLY OFF DURING INSTALLATION. IF NEW WIRING IS REQUIRED, CONSULT A QUALIFIED ELECTRICIAN OR LOCAL AUTHORITIES FOR CODE REQUIREMENTS.

4

1. Make electrical connections from supply wire to fixture lead wires. Refer to instruction sheet (I.S. 18) and follow all instructions to make all necessary wiring connections. Then refer back to this sheet to continue installation of this fixture.

5

1. Slip canopy of fixture over screws (A) and secure fixture with ball knobs (D) - see **Drawing 3**.

Drawing 1 - Flush Mount



Drawing 2 - Chain Hung



Drawing 3 - Post-Mount



SAFETY WARNING: READ WIRING AND GROUNDING INSTRUCTIONS (I.S. 18) AND ANY ADDITIONAL DIRECTIONS. TURN POWER SUPPLY OFF DURING INSTALLATION. IF NEW WIRING IS REQUIRED, CONSULT A QUALIFIED ELECTRICIAN OR LOCAL AUTHORITIES FOR CODE REQUIREMENTS.

wiring instructions

Indoor Fixtures

1. Connect positive supply wire **(A)** (typically black or the smooth, unmarked side of the two-conductor cord) to positive fixture lead **(B)** with appropriately sized twist on connector - see **Drawings 1 or 2**.
2. Connect negative supply wire **(C)** (typically white or the ribbed, marked side of the two-conductor cord) to negative fixture lead **(D)**.
3. Please refer to the **grounding instructions** below to complete all electrical connections.

Outdoor Fixtures

1. Connect positive supply wire **(A)** (typically black or the smooth unmarked side of the two-conductor cord) to positive fixture lead **(B)** with appropriately sized twist on connector - see **Drawings 2 or 3**.
2. Connect negative supply wire **(C)** (typically white or the ribbed, marked side of the two-conductor cord) to negative fixture lead **(D)**.
3. Cover open end of connectors with silicone sealant to form a watertight seal.
 - If installing a wall mount fixture, use caulk to seal gaps between the fixture mounting plate (backplate) and the wall. This will help prevent water from entering the outlet box. If the wall surface is lap siding, use caulk and a fixture mounting platform specially.
4. Please refer to the **grounding instructions** below to complete all electrical connections.

grounding instructions

Flush Mount Fixtures

For positive grounding in a 3-wire electrical system, fasten the fixture ground wire **(E)** (typically copper or green plastic coated) to the fixture mounting strap **(1)** with the ground screw **(2)** - see **Drawing 1**.

Note: On straps for screw supported fixtures, first install the two mounting screws in strap. Any remaining tapped hole may be used for the ground screw.

Chain Hung Fixtures

Loop fixture ground wire **(E)** (typically copper or green plastic coated) under the head of the ground screw **(2)** on fixture mounting strap **(1)** and connect to the loose end of the fixture ground wire directly to the ground wire of the building system with appropriately sized twist-on connectors - see **Drawing 2**.

Post-Mount Fixtures

Connect fixture ground wire **(E)** (typically copper or green plastic coated) to power supply ground with appropriately sized twist-on connector inside post. Cover open end of connector with silicone sealant to form a watertight seal - see **Drawing 3**.