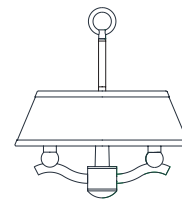
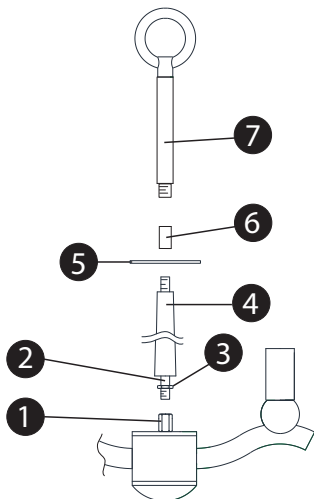


Family: Whitney | Item No. 4611



Drawing 1 - Fixture Assembly



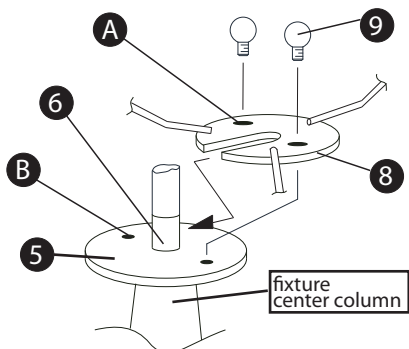
1

1. Find a clear area in which you can work.
2. Unpack fixture and glass from carton.
3. Carefully review instructions prior to assembly.

*** The construction of this fixture will be accomplished by first determining whether this fixture is to be chain hung or ceiling mounted, making all necessary electrical connections, and then installing the glass.

SAFETY WARNING: READ WIRING AND GROUNDING INSTRUCTIONS (I.S. 18) AND ANY ADDITIONAL DIRECTIONS. TURN POWER SUPPLY OFF DURING INSTALLATION. IF NEW WIRING IS REQUIRED, CONSULT A QUALIFIED ELECTRICIAN OR LOCAL AUTHORITIES FOR CODE REQUIREMENTS.

Drawing 2 - Shade mounting



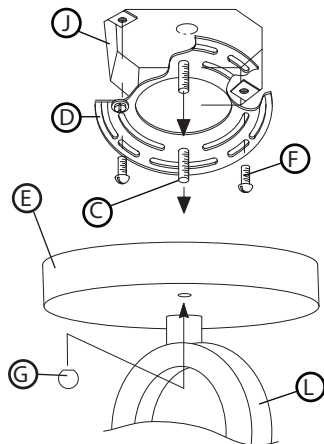
2

1. Basic fixture assembly is accomplished by first, sliding center tube (2) along supply wire and threading it into coupler (1) located on the top of the main body assembly (A), thread center tube in approximately 3/8".
2. Tighten hex nut (3) against coupler (1) to secure center tube.
3. Slip outer column tube (4) over center tube (2), making sure bottom of tube rest in recess in main body assembly.
4. Slip flat plate (5) onto center tube (2).
5. Thread top coupler (6) onto end of tube (2) and tighten to secure center column assembly.
6. Slip center stem with loop (7) along wire and thread into coupler (6) and tighten.
6. Fixture body is ready for installation.

Shade Mounting - see Drawing 2

1. To attach shade, slip mounting ring (8) around top of center column coupler (6) and on top of plate (5) - see Drawings 1 & 2.
2. Align holes (A) in mounting ring (8) with holes (B) in plate (5).
3. Thread in ball knobs with studs (9) to secure shade to fixture.

Drawing 3 - Mounting instructions



Chain Hung

1. To prepare for mounting, thread screws (C) into the mounting bracket (D) - see Drawing 3.
 - Screws should be threaded into matching holes of the mounting strap, making sure the screws line up with the holes in the fixture canopy (E).
2. Install mounting bracket (D) to junction box (J) using screws (F).
3. Determine the length of chain ring you will require and hook one end to the fixture. Weave supply wire through chain.
4. Attach chain to canopy loop (L) and slip supply wire through center hole of loop.
5. Make electrical connections from supply wire to fixture lead wires. Refer to instruction sheet (I.S. 18) and follow all instructions to make all necessary wiring connections. Then refer back to the next step to mount the fixture.
6. To mount fixture, slip canopy (E) over screws (F) and thread on ball knobs (G) to secure fixture.

Semi Flush Mounting

To mount fixture as a semi flush follow above directs for chain mounting, but on use one link of chain to connect the fixture loop to the canopy loop (L).