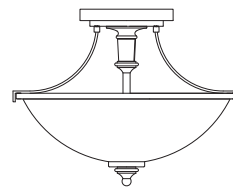
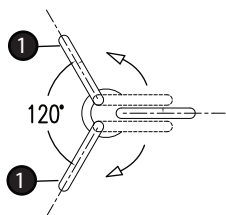


Family: Truman Item No. 4021

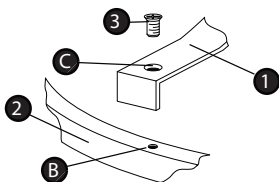


## ▼ start here

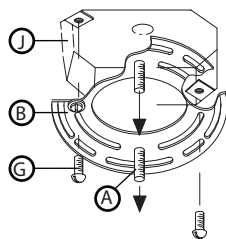
Drawing 1 - Fixture Assembly



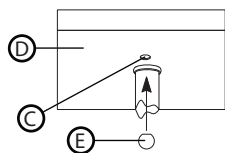
Drawing 2 - Fixture Assembly



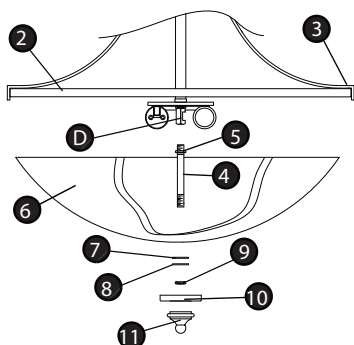
Drawing 3 - Strap Detail



Drawing 4 - Fixture Mounting



Drawing 5 - Glass installation



1

1. Find a clear area in which you can work.
2. Unpack fixture and glass from carton.
3. Carefully review instructions prior to assembly.

\*\*\* The construction of this fixture will be accomplished by first assembling the main body of the fixture, making all necessary electrical connections, hanging the fixture from the ceiling, and then installing the glass.

2

1. Rotate arms (1) attached to canopy, until they are equally spaced 120 degrees apart - see Drawing 1.
2. Attach ring (2) by lining up the three holes (B) in the ring with the 3 holes (C) in the arm (1) and threading in the flat head phillips screws (3) to secure ring - see Drawing 2.

**SAFETY WARNING: READ WIRING AND GROUNDING INSTRUCTIONS (I.S. 18) AND ANY ADDITIONAL DIRECTIONS. TURN POWER SUPPLY OFF DURING INSTALLATION. IF NEW WIRING IS REQUIRED, CONSULT A QUALIFIED ELECTRICIAN OR LOCAL AUTHORITIES FOR CODE REQUIREMENTS.**

3

1. Install screws (A) into mounting plate (B) - see Drawing 3.
  - Be sure the holes into which the screws are threaded match the spacing of holes (D) in the canopy (E) - see Drawings 1 and 2.
2. Attach mounting plate (B) to junction box (J), using screws (G) provided and then slip supply wires through large center hole.

4

1. Hang the fixture by slipping canopy (D) over screws (B) in the mounting strap - see Drawing 4.
2. Thread on ball knobs (E) onto the end of screws (B) and tighten to secure fixture to ceiling.

5

- NOTE: Fixture can be lamped accordingly prior to glass installation.
1. To install glass, thread tube (4) into coupler (D) approximately 3/8", making sure hex nut (5) on the tubing is near coupler - see Drawing 5.
  2. Tighten hex nut (5) against coupler (D) to secure tube (4).
  3. Slip glass (6) onto fixture and up against ring (2) and hole in position.
  4. Slip rubber washer (7) followed by steel washer (8) over tube (4), and hold in position.
  5. Thread hex nut (9) onto tube (4) and tighten to secure glass (6).
  6. Slip cap (10) onto tube (4), and then thread finial (11) onto end of stem (4) and hand tighten only, to complete assembly.

## Drawing 1 - Flush Mount



## Drawing 2 - Chain Hung



## Drawing 3 - Post-Mount



**SAFETY WARNING: READ WIRING AND GROUNDING INSTRUCTIONS (I.S. 18) AND ANY ADDITIONAL DIRECTIONS. TURN POWER SUPPLY OFF DURING INSTALLATION. IF NEW WIRING IS REQUIRED, CONSULT A QUALIFIED ELECTRICIAN OR LOCAL AUTHORITIES FOR CODE REQUIREMENTS.**

## wiring instructions

### Indoor Fixtures

1. Connect positive supply wire **(A)** (typically black or the smooth, unmarked side of the two-conductor cord) to positive fixture lead **(B)** with appropriately sized twist on connector - see **Drawings 1 or 2**.
2. Connect negative supply wire **(C)** (typically white or the ribbed, marked side of the two-conductor cord) to negative fixture lead **(D)**.
3. Please refer to the **grounding instructions** below to complete all electrical connections.

### Outdoor Fixtures

1. Connect positive supply wire **(A)** (typically black or the smooth unmarked side of the two-conductor cord) to positive fixture lead **(B)** with appropriately sized twist on connector - see **Drawings 2 or 3**.
2. Connect negative supply wire **(C)** (typically white or the ribbed, marked side of the two-conductor cord) to negative fixture lead **(D)**.
3. Cover open end of connectors with silicone sealant to form a watertight seal.
  - If installing a wall mount fixture, use caulk to seal gaps between the fixture mounting plate (backplate) and the wall. This will help prevent water from entering the outlet box. If the wall surface is lap siding, use caulk and a fixture mounting platform specially.
4. Please refer to the **grounding instructions** below to complete all electrical connections.

## grounding instructions

### Flush Mount Fixtures

For positive grounding in a 3-wire electrical system, fasten the fixture ground wire **(E)** (typically copper or green plastic coated) to the fixture mounting strap **(1)** with the ground screw **(2)** - see **Drawing 1**.

Note: On straps for screw supported fixtures, first install the two mounting screws in strap. Any remaining tapped hole may be used for the ground screw.

### Chain Hung Fixtures

Loop fixture ground wire **(E)** (typically copper or green plastic coated) under the head of the ground screw **(2)** on fixture mounting strap **(1)** and connect to the loose end of the fixture ground wire directly to the ground wire of the building system with appropriately sized twist-on connectors - see **Drawing 2**.

### Post-Mount Fixtures

Connect fixture ground wire **(E)** (typically copper or green plastic coated) to power supply ground with appropriately sized twist-on connector inside post. Cover open end of connector with silicone sealant to form a watertight seal - see **Drawing 3**.