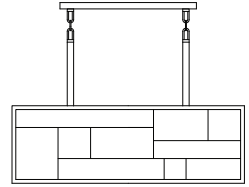
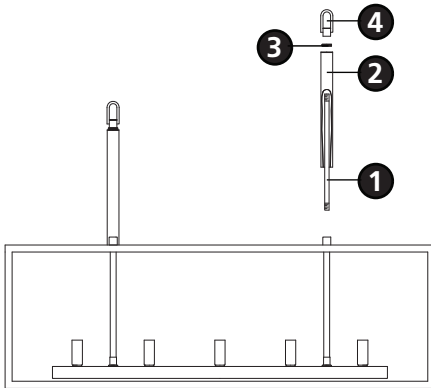


Family: Mondrian | Item No. 4575 KZ



Drawing 1 - Fixture Assembly



▼ start here

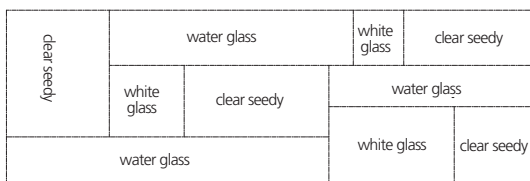
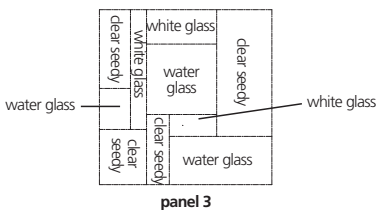
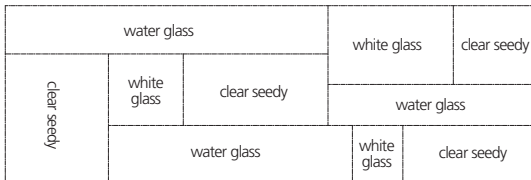
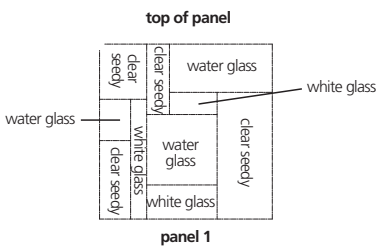
1

1. Find a clear area in which you can work.
2. Unpack fixture and glass from carton.
3. Carefully review instructions prior to assembly.

***** The construction of this fixture will be accomplished by first assembling the fixture, installing the fixture glass, installing the mounting bracket to the junction box, making all necessary electrical connections and hanging the fixture from the ceiling.**

Drawing 2 - Glass Installation

SAFETY WARNING: READ WIRING AND GROUNDING INSTRUCTIONS (I.S. 18) AND ANY ADDITIONAL DIRECTIONS. TURN POWER SUPPLY OFF DURING INSTALLATION. IF NEW WIRING IS REQUIRED, CONSULT A QUALIFIED ELECTRICIAN OR LOCAL AUTHORITIES FOR CODE REQUIREMENTS.



bottom of panel

2

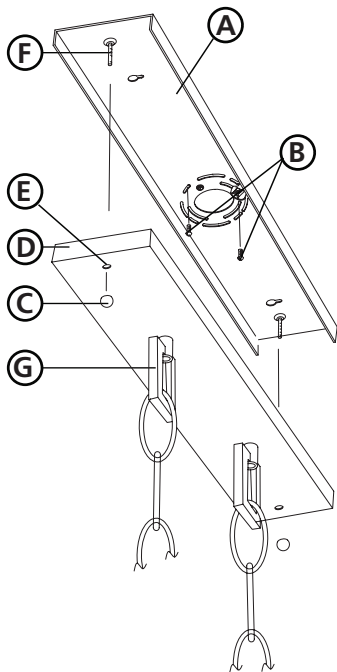
1. To assemble fixture, thread center tube **(1)** into coupler **(A)** approximately 3/8" - see **Drawing 1**.
2. Slip square tube **(2)** over center tube **(1)** and fit over square base **(B)**.
3. Thread knurl nut **(3)** onto center tube **(1)** and tighten.
4. Thread loop **(4)** onto end of center tube **(1)** and tighten.

3

1. To install glass panels, unwrap and organize glass panels - see **Drawing 2**.
2. Refer to glass installation instruction sheet provided. Then refer to hanging instruction sheet **(I.S. 19-75)** provided to hang fixture. Then fixture can be lamped accordingly.

10.29.09

Drawing 1 - Fixture Assembly



▼ start here

SAFETY WARNING: READ WIRING AND GROUNDING INSTRUCTIONS (I.S. 18) AND ANY ADDITIONAL DIRECTIONS. TURN POWER SUPPLY OFF DURING INSTALLATION. IF NEW WIRING IS REQUIRED, CONSULT A QUALIFIED ELECTRICIAN OR LOCAL AUTHORITIES FOR CODE REQUIREMENTS.

1

1. Shut off electrical current before starting. If the fixture you are replacing is turned on and off by a wall switch, simply turn the switch off. If not, remove the appropriate fuse (or open the circuit breakers) until the fixture is dead.

- DO NOT restore current - either by fuse, breaker or switch - until the new fixture is completely wired and in place.

2

1. Fasten retainer plate **(A)** to outlet box with the original outlet box screws **(B)** - see **Drawing 1**.

3

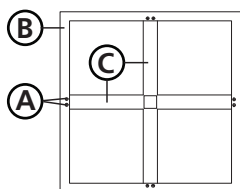
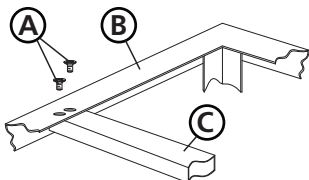
1. Taking the chain, determine the length you require to hang the fixture.
2. Attach one end of the chain to the top loop of the fixture.
3. Attach other end of chain to loop **(G)** on canopy.

4

1. Unwrap supply wire and ground wire and weave them up through the chain.
2. Slip supply wire and ground wire through center hole of loop **(G)**.
Note: Get assistance for this step since fixture may be heavy and difficult to hold while attaching the chain.
3. Connect ground wire to retainer plate **(A)** using green ground screw **(H)**.
4. Make electrical connections from supply wire to fixture lead wires. Refer to instruction sheet **(I.S. 18)** and follow all instructions to make all necessary wiring connections.
5. Slip canopy **(D)** over nipple **(F)** and up against ceiling.
6. Thread decorative finial **(C)** onto end of nipple **(F)**.

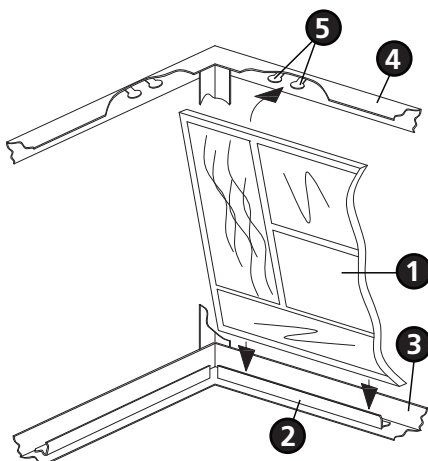
Mondrian glass installation

Drawing 1 - Glass Installation



top view of fixture cage

Drawing 2 - Glass Installation



▼ start here

- This instruction sheet is intended for the installation of the Mondrian family glass.

1

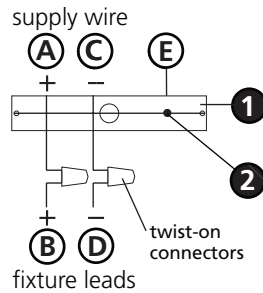
1. To install glass panels, it is necessary to first remove the crossbar located at the top of the cage assembly. This is attached to the center cluster assembly of the fixture.
2. To remove crossbar, remove screws **(A)** from the top of cage assembly **(B)** - see **Drawing 1**.
3. Remove cage assembly from crossbar and center cluster assembly.
4. Set crossbar and center cluster assembly along with previously removed screws aside.

2

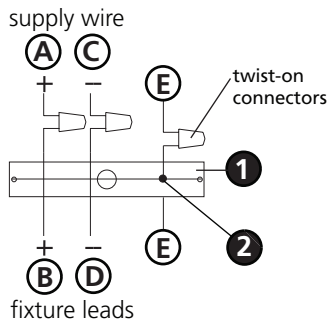
1. At this point you should have your glass panels layed out as instructed on the main instruction sheet. Remember to note top and bottom.
2. Take the first panel and place bottom of panel **(1)** behind metal channel **(2)** located at the bottom of cage assembly **(3)** - see **Drawing 2**.
3. Tilt panel up into the top of cage **(4)** and carefully bend down clips **(5)** with a screw driver to secure panel in cage.
4. Repeat step 2-3 for remaining glass panels.
5. Once all glass panels have been secured, replace crossbar and center cluster assembly by reattaching crossbar to top of cage assembly with screws **(A)** - see **Drawing 1**.

10.29.09

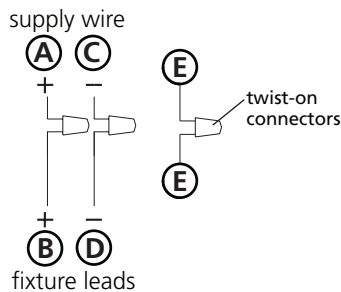
Drawing 1 - Flush Mount



Drawing 2 - Chain Hung



Drawing 3 - Post-Mount



SAFETY WARNING: READ WIRING AND GROUNDING INSTRUCTIONS (I.S. 18) AND ANY ADDITIONAL DIRECTIONS. TURN POWER SUPPLY OFF DURING INSTALLATION. IF NEW WIRING IS REQUIRED, CONSULT A QUALIFIED ELECTRICIAN OR LOCAL AUTHORITIES FOR CODE REQUIREMENTS.

wiring instructions

Indoor Fixtures

1. Connect positive supply wire **(A)** (typically black or the smooth, unmarked side of the two-conductor cord) to positive fixture lead **(B)** with appropriately sized twist on connector - see **Drawings 1 or 2**.
2. Connect negative supply wire **(C)** (typically white or the ribbed, marked side of the two-conductor cord) to negative fixture lead **(D)**.
3. Please refer to the **grounding instructions** below to complete all electrical connections.

Outdoor Fixtures

1. Connect positive supply wire **(A)** (typically black or the smooth unmarked side of the two-conductor cord) to positive fixture lead **(B)** with appropriately sized twist on connector - see **Drawings 2 or 3**.
2. Connect negative supply wire **(C)** (typically white or the ribbed, marked side of the two-conductor cord) to negative fixture lead **(D)**.
3. Cover open end of connectors with silicone sealant to form a watertight seal.
 - If installing a wall mount fixture, use caulk to seal gaps between the fixture mounting plate (backplate) and the wall. This will help prevent water from entering the outlet box. If the wall surface is lap siding, use caulk and a fixture mounting platform specially.
4. Please refer to the **grounding instructions** below to complete all electrical connections.

grounding instructions

Flush Mount Fixtures

For positive grounding in a 3-wire electrical system, fasten the fixture ground wire **(E)** (typically copper or green plastic coated) to the fixture mounting strap **(1)** with the ground screw **(2)** - see **Drawing 1**.

Note: On straps for screw supported fixtures, first install the two mounting screws in strap. Any remaining tapped hole may be used for the ground screw.

Chain Hung Fixtures

Loop fixture ground wire **(E)** (typically copper or green plastic coated) under the head of the ground screw **(2)** on fixture mounting strap **(1)** and connect to the loose end of the fixture ground wire directly to the ground wire of the building system with appropriately sized twist-on connectors - see **Drawing 2**.

Post-Mount Fixtures

Connect fixture ground wire **(E)** (typically copper or green plastic coated) to power supply ground with appropriately sized twist-on connector inside post. Cover open end of connector with silicone sealant to form a watertight seal - see **Drawing 3**.