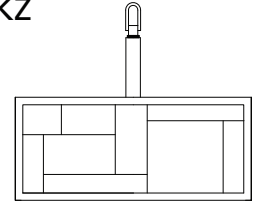
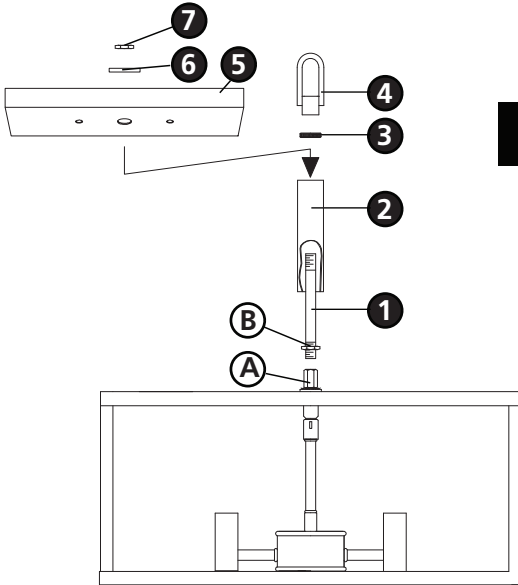


Family: Mondrian | Item No. 4571 KZ



Drawing 1 - Fixture Assembly



▼ start here

1

1. Find a clear area in which you can work.
2. Unpack fixture and glass from carton.
3. Carefully review instructions prior to assembly.

***** The construction of this fixture will be accomplished by first assembling the fixture, installing the fixture glass, determining what mounting style you will use, installing the mounting bracket to the junction box, making all necessary electrical connections and hanging the fixture from the ceiling.**

SAFETY WARNING: READ WIRING AND GROUNDING INSTRUCTIONS (I.S. 18) AND ANY ADDITIONAL DIRECTIONS. TURN POWER SUPPLY OFF DURING INSTALLATION. IF NEW WIRING IS REQUIRED, CONSULT A QUALIFIED ELECTRICIAN OR LOCAL AUTHORITIES FOR CODE REQUIREMENTS.

2

1. To assemble fixture, thread center tube (1) into coupler (A) approximately 3/8" - see **Drawing 1**.
2. Tighten hex nut (B) against coupler (A) to secure threaded tubing (1).

3

1. To install glass panels, unwrap and organize tiffany panels - see **Drawing 2**.
 - Note: Center column is on swivel. After glass is installed caution must be used when moving the fixture so stem does not swivel and break glass.
2. Refer to glass installation instruction sheet provided. Then refer back to this sheet to continue fixture installation.

4

1. At this point you must determine if the fixture is to be chain hung or mounted to the ceiling. Please see instructions below for each option.

5

Chain Hung Option

1. Thread knurl nut (3) onto center tube (1) - see **Drawing 1**.
2. Thread loop (4) onto end of center tube (1) and tighten.
3. Please refer to the hanging instruction sheet (I.S. 19) provided to hang fixture.

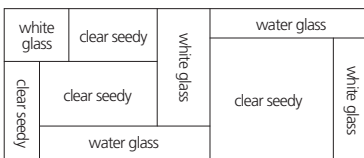
6

Ceiling Mount

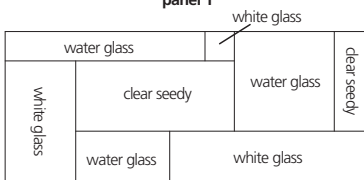
1. Slip canopy (5), with small center hole, over center tube (1) - see **Drawing 1**.
2. Slip lock washer (6) and thread hex nut (7) onto center tube and tighten.
3. Please refer to the mounting instruction sheet (I.S. 20) provided to hang fixture.

Drawing 2 - Glass Installation

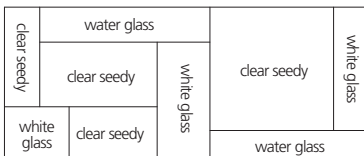
top of panel



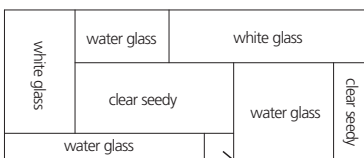
panel 1



panel 2



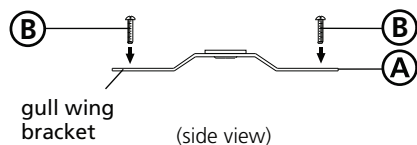
panel 3



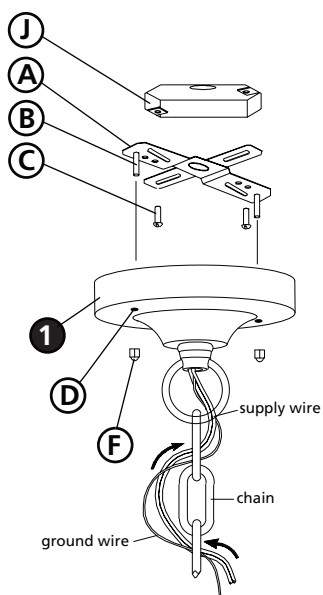
panel 4

bottom of panel

Drawing 1 - Strap Detail



Drawing 2 - Fixture Mounting



▼ start here

1

1. Prepare gem strap **(A)** for mounting by threading two screws **(B)** provided into back of gull wing bracket of gem strap **(A)** - see **Drawing 1**.

- Be sure the holes into which the screws are threaded match the spacing of holes **(D)** in the ceiling pan **(1)** - see **Drawings 1 and 2**.

3. Mount gem strap **(A)** to junction box **(J)**, using the two 1" screws **(C)** provided.

SAFETY WARNING: READ WIRING AND GROUNDING INSTRUCTIONS (I.S. 18) AND ANY ADDITIONAL DIRECTIONS. TURN POWER SUPPLY OFF DURING INSTALLATION. IF NEW WIRING IS REQUIRED, CONSULT A QUALIFIED ELECTRICIAN OR LOCAL AUTHORITIES FOR CODE REQUIREMENTS.

2

1. Determine the length of chain you will require.
2. Attach chain to loop on top of fixture and weave supply wire and ground through chain.
3. Attach loop from canopy to the chain.
4. Fixture is ready for hanging.

Make electrical connections from supply wire to fixture lead wires. Refer to instruction sheet **(I.S. 18)** and follow all instructions to make all necessary wiring connections. Then refer back to this sheet to continue installation of this fixture.

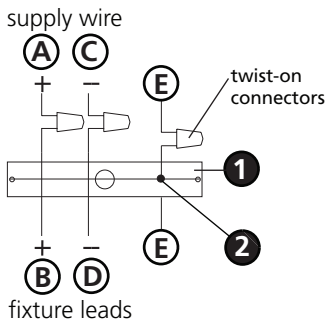
3

1. Hang the fixture by slipping the holes **(D)** in the canopy **(1)** over the screws **(B)** in the mounting strap **(A)** - see **Drawing 2**.
2. Thread on ball knobs **(F)** to secure fixture to the ceiling.

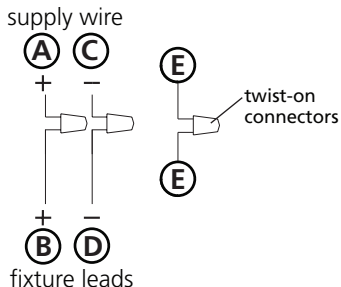
Drawing 1 - Flush Mount



Drawing 2 - Chain Hung



Drawing 3 - Post-Mount



SAFETY WARNING: READ WIRING AND GROUNDING INSTRUCTIONS (I.S. 18) AND ANY ADDITIONAL DIRECTIONS. TURN POWER SUPPLY OFF DURING INSTALLATION. IF NEW WIRING IS REQUIRED, CONSULT A QUALIFIED ELECTRICIAN OR LOCAL AUTHORITIES FOR CODE REQUIREMENTS.

wiring instructions

Indoor Fixtures

1. Connect positive supply wire **(A)** (typically black or the smooth, unmarked side of the two-conductor cord) to positive fixture lead **(B)** with appropriately sized twist on connector - see **Drawings 1 or 2**.
2. Connect negative supply wire **(C)** (typically white or the ribbed, marked side of the two-conductor cord) to negative fixture lead **(D)**.
3. Please refer to the **grounding instructions** below to complete all electrical connections.

Outdoor Fixtures

1. Connect positive supply wire **(A)** (typically black or the smooth unmarked side of the two-conductor cord) to positive fixture lead **(B)** with appropriately sized twist on connector - see **Drawings 2 or 3**.
2. Connect negative supply wire **(C)** (typically white or the ribbed, marked side of the two-conductor cord) to negative fixture lead **(D)**.
3. Cover open end of connectors with silicone sealant to form a watertight seal.
 - If installing a wall mount fixture, use caulk to seal gaps between the fixture mounting plate (backplate) and the wall. This will help prevent water from entering the outlet box. If the wall surface is lap siding, use caulk and a fixture mounting platform specially.
4. Please refer to the **grounding instructions** below to complete all electrical connections.

grounding instructions

Flush Mount Fixtures

For positive grounding in a 3-wire electrical system, fasten the fixture ground wire **(E)** (typically copper or green plastic coated) to the fixture mounting strap **(1)** with the ground screw **(2)** - see **Drawing 1**.

Note: On straps for screw supported fixtures, first install the two mounting screws in strap. Any remaining tapped hole may be used for the ground screw.

Chain Hung Fixtures

Loop fixture ground wire **(E)** (typically copper or green plastic coated) under the head of the ground screw **(2)** on fixture mounting strap **(1)** and connect to the loose end of the fixture ground wire directly to the ground wire of the building system with appropriately sized twist-on connectors - see **Drawing 2**.

Post-Mount Fixtures

Connect fixture ground wire **(E)** (typically copper or green plastic coated) to power supply ground with appropriately sized twist-on connector inside post. Cover open end of connector with silicone sealant to form a watertight seal - see **Drawing 3**.