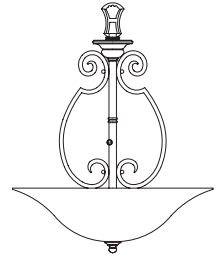
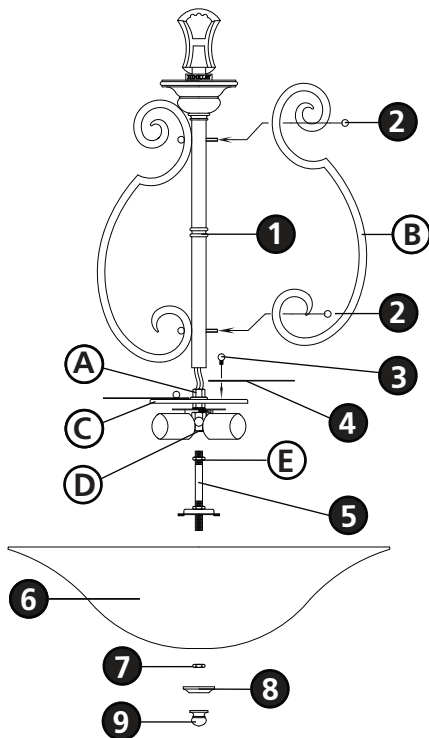


Family: Cello | Item No. 4564 AT



Drawing 1 - Fixture Assembly



## ▼ start here

1

1. Find a clear area in which you can work.
2. Unpack fixture and glass from carton.
3. Carefully review instructions prior to assembly.

**\*\*\* The construction of this fixture will be accomplished by first assembling the main body of the fixture, attaching the mounting strap to the junction box, making all necessary electrical connections, hanging the fixture from the ceiling, and then installing the glass.**

**SAFETY WARNING: READ WIRING AND GROUNDING INSTRUCTIONS (I.S. 18) AND ANY ADDITIONAL DIRECTIONS. TURN POWER SUPPLY OFF DURING INSTALLATION. IF NEW WIRING IS REQUIRED, CONSULT A QUALIFIED ELECTRICIAN OR LOCAL AUTHORITIES FOR CODE REQUIREMENTS.**

2

1. Slip center column (1) along wire and thread onto coupler (A).
2. Attach arms (B) to center column (1) using ball knobs (2) provided.
3. Remove ball knob studs (3) from socket plate (C).
4. Place perforated diffuser (4) on top of socket plate (C) and attach using ball knob studs (3) removed previously.
5. Thread bottom center stem (5) into coupler (D) and lock in position by tighten hex nut (E) against coupler (D).
6. Fixture can now be installed, please follow instruction sheet (IS19) provided. After hanging fixture please return to this section for glass installation procedures.

3

1. To install glass first slip center stem (5) through center hole in glass (7) and hold in position.
2. Thread hex nut (7) onto center stem (5) and tighten to secure glass.
3. Slip cap (8) onto center stem (5) and hold in position.
4. Thread decorative knob (9) onto center stem (5) and tighten to complete assembly.

Note: Maximum wattage for 4564 fixture is 100 watts per bulb.

2.7.08