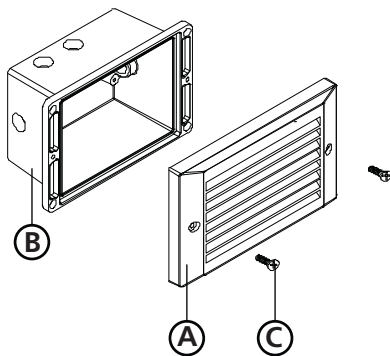


Drawing 1 - Lamp Installation



WARNING: TO REDUCE THE RISK OF FIRE, OR INJURY TO PERSONS:

1. Turn off/unplug and allow to cool before replacing lamp.
2. Lamps get hot quickly! Contact only switch/plug when turning on.
3. Do not touch hot lens, guard or enclosure.
4. Keep lamp away from material that may burn.
5. Do not operate luminaire fitting with a missing or damaged cover.

▼ start here

1

1. Find a clear area in which you can work.
2. Carefully review instructions prior to assembly.
3. Gather tools required : **WIRE STRIPPERS, PHILIPS HEAD SCREWDRIVER, SILICONE GREASE, THREAD SEALANT.**
 - Save these instructions for future reference.

WARNING: LUMINAIRE MUST BE INSTALLED AND GROUNDED IN ACCORDANCE WITH THE NATIONAL ELECTRICAL CODE (NEC) AND LOCAL CODES. FAILURE TO DO SO MAY RESULT IN SERIOUS INJURY AND/ OR DAMAGE TO THE LUMINAIRE. FOR ANY SPECIAL APPLICATIONS NOT COVERED, PLEASE CONTACT HINKLEY LIGHTING FOR ASSISTANCE

FIXTURES WHICH MAY COME IN CONTACT WITH OR BE EXPOSED TO MOISTURE (I.E. OUTDOORS) SHALL BE INSTALLED ON A GFI (GROUND FAULT INTERRUPTOR) POTECTED CIRCUIT.

ALWAYS USE UL RECOGNIZED WIRE CONNECTORS FOR CONNECTIONS.

2

1. Please refer to the **mounting instructions** located on the back of this sheet to continue installation of this fixture.

3

lamp installation | replacement

1. To prevent electrical shock, disconnect from the electrical supply before servicing.
2. Remove face plate (A) from housing (B) by loosening 2 philips screws on front of louver (C) - see **Drawing 1**.
3. Replace lamp with correct wattage and type marked on fixture label.
CAUTION: DO NOT EXCEED MAXIMUM WATTAGE MARKED ON LUMINAIRE LABEL.

Info 58025 BZ: Lamp Type G9, Maximum Wattage is 25 watts per bulb.

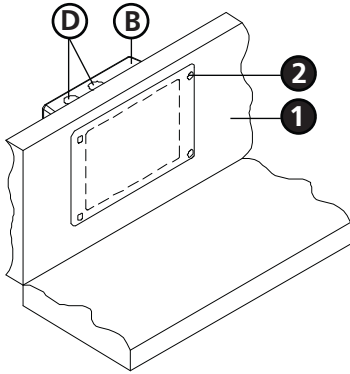
Info 58009 BZ: Lamp Type G23-2, Maximum Wattage is 9 watts CFL per bulb.



mounting instructions

Family: 120V Series Step Light | Item No. 58025/58009 BZ

Drawing 2 - Fixture Mounting



1

- 1.** Level Supplied template (**D**) - see **Drawing 3** - on desired step area (**1**) and drill four diameter clearance holes (**2**) - see **Drawing 2**. Failure to level will cause fixture to have a tilted appearance.
- 2.** Remove the 1/2" PT plugs (**E**) from the side and bottom of the housing (**B**) and pull the supply wires through the holes and into the housing (**B**).
- 3.** Be sure all unused electrical plugs have been relaced. Using template (**D**), cut placement hole into desired step area (**1**).
- 4.** Secure housing to desired step area (**1**) with four 8-32 x 1 3/4" wood screws (**3**) not provided to housing (**B**).
- 5.** Please refer back to the front of this sheet to install lamp and complete the installation of this fixture.

Drawing 3 - Template

