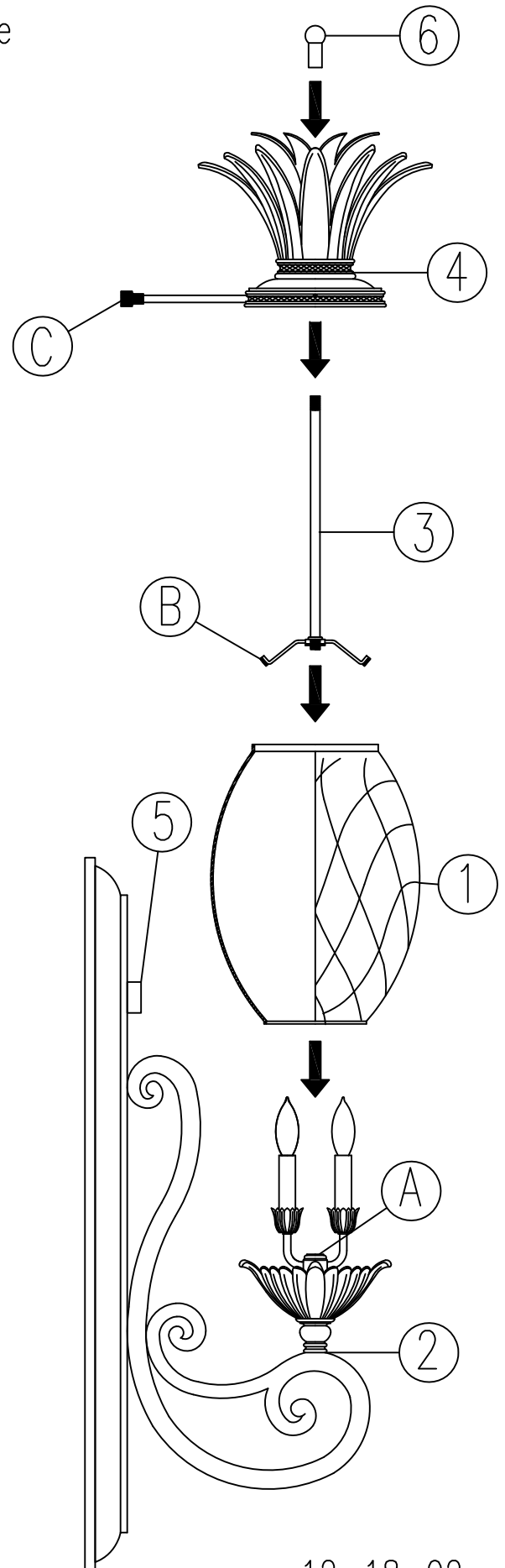


Note: See mounting instructions on back before proceeding.

Steps for re-lamping and assembling

1. Slip glass (1) over candle sleeves onto fixture base (2).
2. Thread center stem (3) into top of cluster body (A). Spider assembly (B) should contact inside of glass to hold it in place.
3. Slip fixture crown (4) over center stem (3).
4. Thread knurled cap on arm (C) to back plate (5). Tighten secondary knurled cap to secure arm.
5. Thread top finial (6) onto center stem (3).



Note: Turn off power to junction box before proceeding.

1. Remove 6 ball knobs (4) from fixture and remove retaining plate (1).
2. Thread wires from junction box through 9/16" hole in retaining plate.
3. Remove appropriate knockouts and mount retainer plate (1) to outlet box (5).
4. Attach fixture backplate to wall using 6 ball knobs (4).

Note: Continue assembly of fixtures using instructions on front side.

