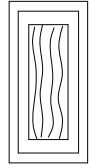
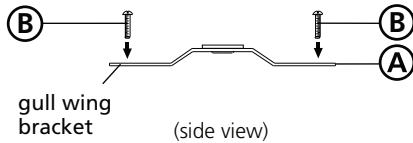


Family: Titan | Item No. 2054 HE/KZ/TT

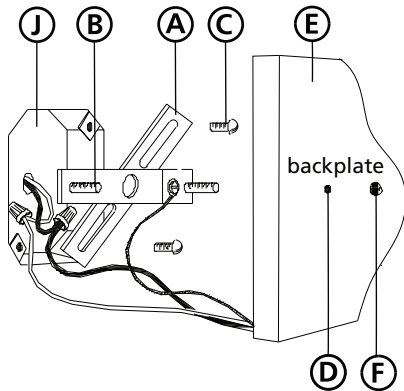


▼ start here

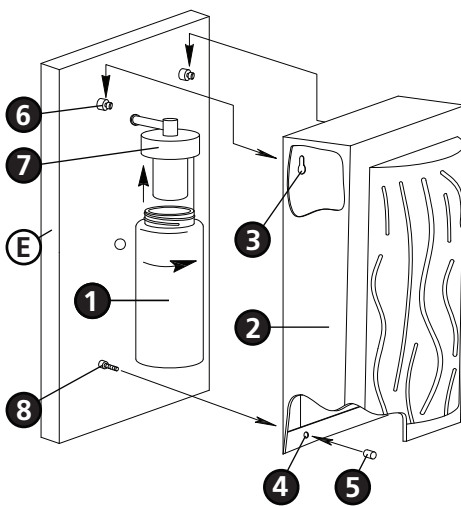
Drawing 1 - Strap Detail



Drawing 2 - Fixture Mounting



Drawing 3 - Fixture Assembly



1

1. Find a clear area in which you can work.
2. Unpack fixture and glass from carton.
3. Carefully review instructions prior to assembly.

***** The construction of this fixture will be accomplished will be accomplished by first mounting the mounting strap to the junction box, making all necessary electrical connections, mounting the backplate to the wall, installing the glass, and then attaching the cage assembly.**

2

1. Prepare mounting strap (A) by threading the two 1 1/4" long mounting screws (B) into the back of the gull wing bracket - see **Drawing 1**.
 - Be sure the holes into which the screws are threaded match the spacing of holes (D) in the back plate (E) - see **Drawings 1 and 2**.
2. Attach mounting strap (A) to junction box (J) using two 1" screws (C) provided - see **Drawing 2**.
3. Take assembled fixture and locate barrel knobs (5) at bottom of cage assembly (2) - see **Drawing 3**.
4. Unthread barrel knobs (5) and set aside to be used later.
5. Lift bottom of cage assembly (2) until it clears the mounting studs (4).
6. Push up on cage assembly (2) to disengage keyhole slot (3) from anchor knob (6) at top of cage assembly (2). Set cage assembly (2) aside for re-assembly later.

SAFETY WARNING: READ WIRING AND GROUNDING INSTRUCTIONS (I.S. 18) AND ANY ADDITIONAL DIRECTIONS. TURN POWER SUPPLY OFF DURING INSTALLATION. IF NEW WIRING IS REQUIRED, CONSULT A QUALIFIED ELECTRICIAN OR LOCAL AUTHORITIES FOR CODE REQUIREMENTS.

3

Make electrical connections from supply wire to fixture lead wires. Refer to instruction sheet (I.S. 18) and follow all instructions to make all necessary wiring connections. Then refer back to this sheet to continue installation of this fixture.

4

1. To mount fixture to the wall, slide backplate (E) over screws (B) and secure with ball knobs (F) - see **Drawing 2**.

5

1. To install glass, thread cylinder glass (1) into glass holder (7) attached to backplate (E) - see **Drawing 3**.
2. Fixture can now be lamped accordingly.
3. To attach cage assembly (2) to backplate (E), slip keyhole slots (3) over anchor knob (6) located at the top of backplate (E).
4. Slip mounting stud (8) located at bottom of backplate (E) into hole (4) located in the bottom of cage assembly (2).
5. To secure cage assembly (2) to backplate (E), thread barrel knob (5) onto end of mounting stud (8) and tighten.

Note: Maximum wattage for 2054 fixture is 100 watts per bulb.

4.19.10