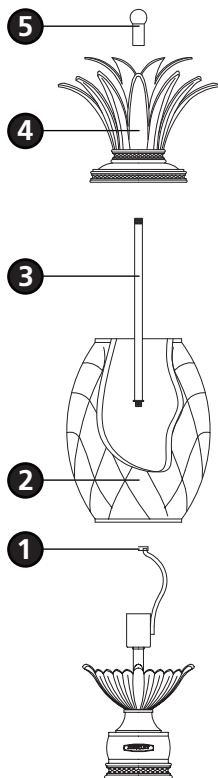


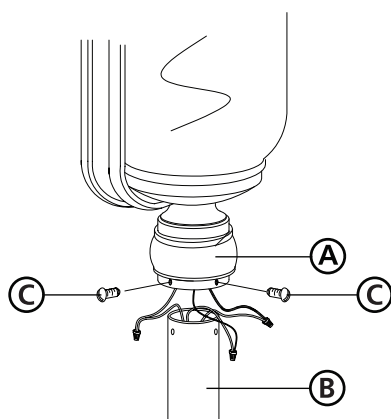
Family: Plantation | Item No. 2121 PZ



Drawing 1 - Fixture Assembly



Drawing 2 - Fixture Mounting



▼ start here

1

1. Find a clear area in which you can work.
2. Unpack fixture and glass from carton.
3. Carefully review instructions prior to assembly.

***** The construction of this fixture will be accomplished by first assembling the main body of the fixture, making all necessary electrical connections, mounting the fixture to pre-installed post, and then installing the glass.**

2

1. Thread center stem (3) into top of harp (1) - see **Drawing 1**

SAFETY WARNING: READ WIRING AND GROUNDING INSTRUCTIONS (I.S. 18) AND ANY ADDITIONAL DIRECTIONS. TURN POWER SUPPLY OFF DURING INSTALLATION. IF NEW WIRING IS REQUIRED, CONSULT A QUALIFIED ELECTRICIAN OR LOCAL AUTHORITIES FOR CODE REQUIREMENTS.

3

Make electrical connections from supply wire to fixture lead wires. Refer to instruction sheet (I.S. 18) and follow all instructions to make all necessary wiring connections. Then refer back to this sheet to continue installation of this fixture.

4

1. After wiring connections are complete, slip post fitter (A) over top of pre-installed post (B) making sure all wire connections are tucked inside the pole - see **Drawing 2**.
2. When fixture is slipped over pole make sure no wires are being pinched between the top edge of the pole and the inside of the post fitter.
3. Thread the 3 set screws (C) into pre-tapped holes in post fitter.
4. Tighten screws (C) to secure fixture to post.

5

1. Prior to installing glass, fixture can now be lamped.
2. To install glass, slip glass (2) over harp (1) and center stem (3) - see **Drawing 1**
3. Slip crown assembly (4) onto center stem (3).
4. Thread on top knob (5) to secure glass (2) to fixture.
Note: Hand tighten only, tightening with tool may cause damage to glass.

Note: Maximum wattage for 2121 fixture is 100 watts per bulb.

2.7.08