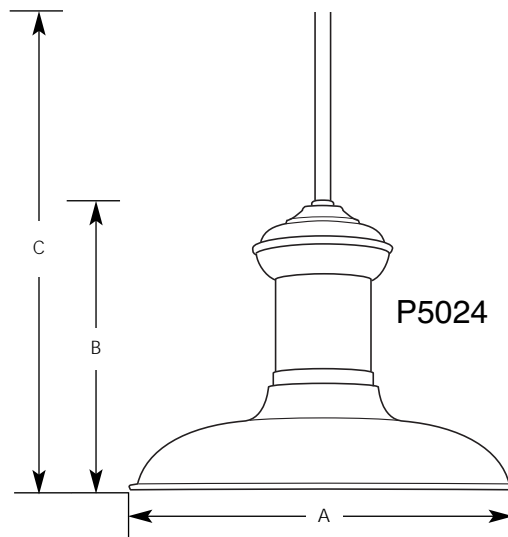
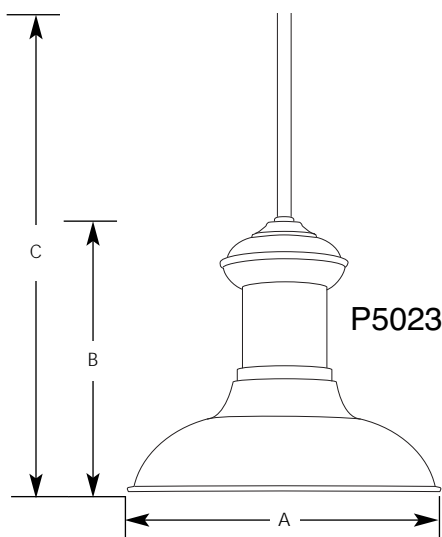


Type \_\_\_\_\_  
 -09 -33  
 P5023    
 P5024

Catalog No.	Finish		Lamping	Dimensions (Inches)		
	Brushed Nickel	Cobblestone		A	B	C
P5023	-09	-33	1(m) 60w	8	7-1/2	64
P5024	-09	-33	1(m) 100w	12	9-1/8	65



**Specifications:**

General

- Spun metal shade
- P5023 is a mini-pendant
- 90° hang straight swivel
- Two 12" and two 15" sections of matching stem supplied. Stems have internal thread couplers to attain various desired lengths
- Steel construction
- Plated brushed nickel, or hand painted cobblestone finish
- Companion chandeliers

Mounting

- Stem hung ceiling
- Canopy covers a standard recessed 4" octagonal outlet box
- Mounting strap for outlet box included

Electrical

- 10 feet of wire
- Ceramic medium based socket
- Pre-wired

Labeling

- UL-CUL listed