



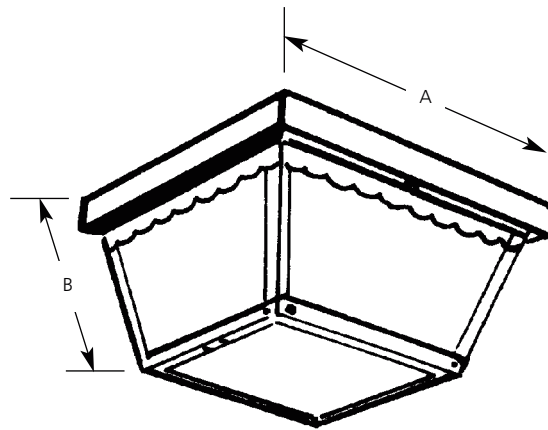
Incandescent

**Scalloped Edge**  
Ceiling Mount

**Outdoor**

Type \_\_\_\_\_  
-31  
P5729

Catalog No.	Finish	Lamping	Dimensions (Inches)	
	Black		A	B
P5729	-31	2-60w A19	9-1/4	5



**Specifications:**

General

- Full galvanized steel back plate
- Textured glass panels
- Panels held into outer cage which attaches with two thumb screws
- Outer cage - Powder coated finish on steel

Mounting

- Ceiling mount
- Covers any outlet box
- Outlet box mounting strap provided for center lock up mounting

Electrical

- Medium base porcelain sockets with nickel plated brass screw shell

Labeling

- UL-CUL wet location listed

Progress Lighting  
Post Office Box 5704  
Spartanburg, South Carolina  
29304-5704

www.progresslighting.com

Rev. 8/06