



Metal Halide

**8" Housing
Vertical Lamp**

Recessed

Type _____

P8202

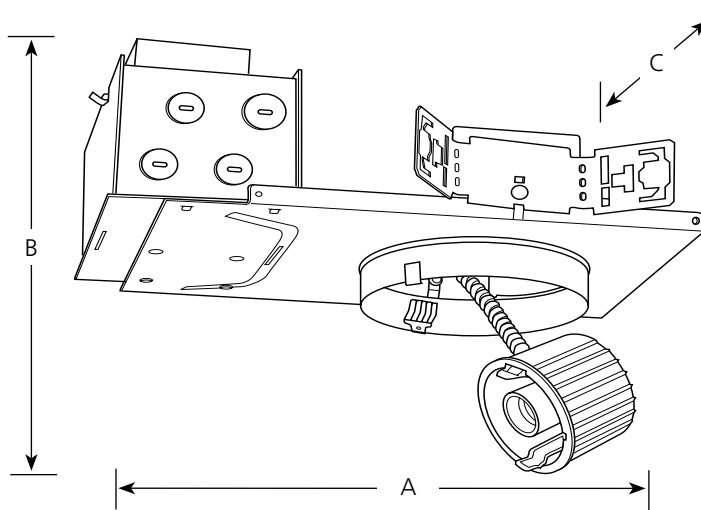
P8203

Finish

Catalog No	Lamping	Dimensions (Inches)		
		A	B	C
P8202-EB	1-70w ED17 or PAR30L CMH	15-5/8	9	9-7/8
P8203-EB	1-100w ED17 or PAR30L CMH	15-5/8	9	9-7/8

Ceiling Opening = 8-1/4

Maximum Ceiling Thickness = 1-1/4



Specifications:

Electrical

- Universal heavy gauge junction box with snap-out sides
- Grounding pigtail
- 1/2" & 3/4" pryouts for rigid or BX fittings
- 120 Electronic HPF Ballast
- Rated for 8 #12 90 degree conductors (4 in, 4 out)
- Ceramic medium based socket

Construction

- Accepts a single vertical 70 or 100w ceramic metal halide lamp
- Notched housing for chalkline or laser alignment
- Galvanized steel construction
- Trims adjust to accommodate 1/2" to 1-1/4" thick ceilings

Bar Hangers

- Must be ordered separately
- T-bar – P8725-01 span 24" T-bar spacing and have integral T-bar mounting clamps
- Wood Joist – P8739-01 can be nailed directly to joist, an allow 90-degree mounting for tight spaces

- Both have set screw lock to secure housing
- Galvanized steel

Labeling

- UL and CUL listed for damp location and through branch wiring
- Non-IC rated

Lamp/Trim

- Die cast socket cup mounts securely to reflector for consistent lamp positioning
- Lamps positioned in reflector to optimize photometric performance
- Trim retention accomplished by use of 3 spring clips located inside aperture of frame-in
- Order trim separately

Technical Data

Lamp	Ballast	Lamp Base	Line Current Amps	Input Watts	Min. Start Temp.(F)
70w	120v	E26med	.67	80	-20
100w	120v	E26med	.92	110	-20

Progress Lighting
701 Millennium Blvd.
Greenville, South Carolina
29607

www.progresslighting.com