

Type \_\_\_\_\_

-77

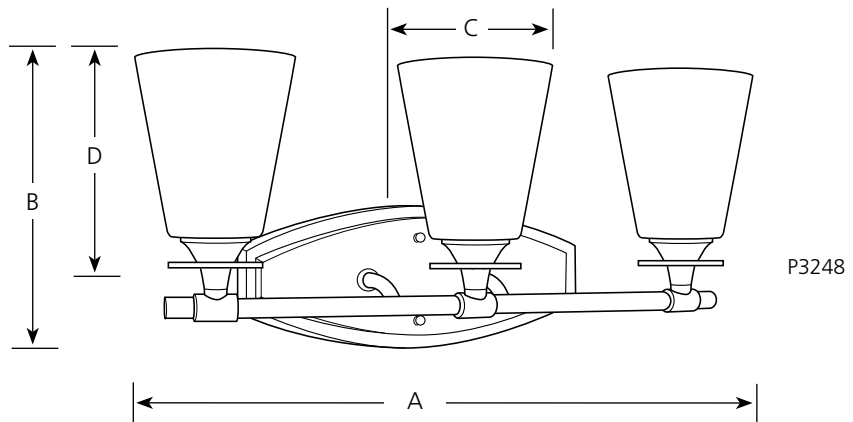
P3248

P3249

**Finish**

**Dimensions (Inches)**

Catalog No.	Forged Bronze	Lamping	A	B	C	D
P3248	-77	3 (m) 100w	21-1/2	9-1/4	7-1/4	6-3/4
P3249	-77	4 (m) 100w	29-7/8	9-1/4	7-1/4	6-3/4



**Specifications:**

General

- Seeded topaz glass shades, 4-1/2" dia. x 5-1/2" T, 1-3/4" center hole
- Flat bobeches
- Hand painted Forged Bronze (-77) finish
- Can be mounted in the "up" or "down" position
- Steel construction
- Companion chandelier, hall and foyer, wall bracket, close to ceiling, pendant, and bath and vanity units

Mounting

- Wall mounted
- Backplate dimensions (P3248 & P3249): 12-1/2" W x 4-3/4" T x 1" deep
- Canopy covers a standard 4" hexagonal outlet box
- Mounting strap for outlet box included

Electrical

- Ceramic medium based sockets
- Pre-wired

Labeling

- UL-CUL damp location listed