



Indoor

42" Builder
AirPro®

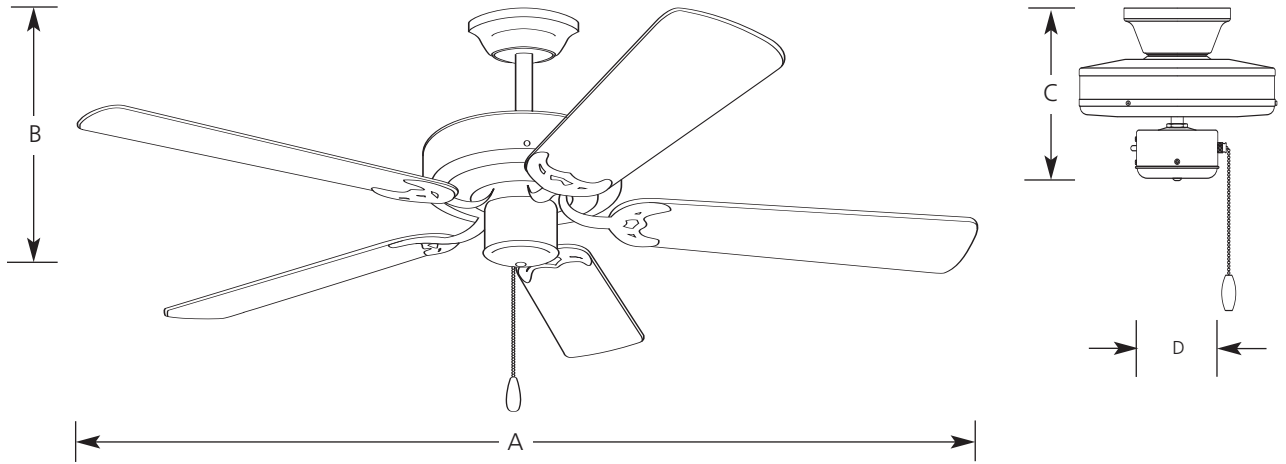
Ceiling Fan

Type _____
 -30 -33
 P2500

Catalog No.	Finish		Dimensions (Inches)			
	White	Cobblestone	A	B	C	D
P2500	-30	-33	42	12-1/4	8-1/2	4

Blades

Side 1	White	Rosewood
Side 2	Washed Oak	Honey Pine



Specifications:

General

- 15 year limited warranty

Blades

- Five blades
- Reversible
- 12 degree pitch
- Sure Connect blade attachment system
 - Screws preinstalled in blades for attachment to motor arms
 - Special guides align blades to motor arms
 - Preinstalled rubber isolation pads minimize vibration noise
- MDF blade material

Motor

- Triple capacitor speed control; manual reverse control
- 153mm dia x 10mm high
- Pull chain on white (-30) is chrome with a white fob, and on cobblestone is antique brass chain with medium oak fob.

Mounting

- Dual ceiling mounting on downrod, or close to ceiling
- A 3/4 " x 4-1/4" downrod is included. Longer accessory downrods can be ordered separately
- Quick-Install canopy installs without removing outlet box screws and securely holds fan for wiring during installation
- Installs on sloped ceilings up to 23° (4:12 pitch)
- Canopy covers standard recessed 4" octagonal outlet box. Note: An outlet box assembly designed for fan installation is required (not included)
- Mounting hardware is included

Electrical

- 72" lead wires included
- Prewired
- 1/8" IP accessory adapter

Labeling

- UL listed

Progress Lighting
 Post Office Box 5704
 Spartanburg, South Carolina
 29304-5704

www.progresslighting.com