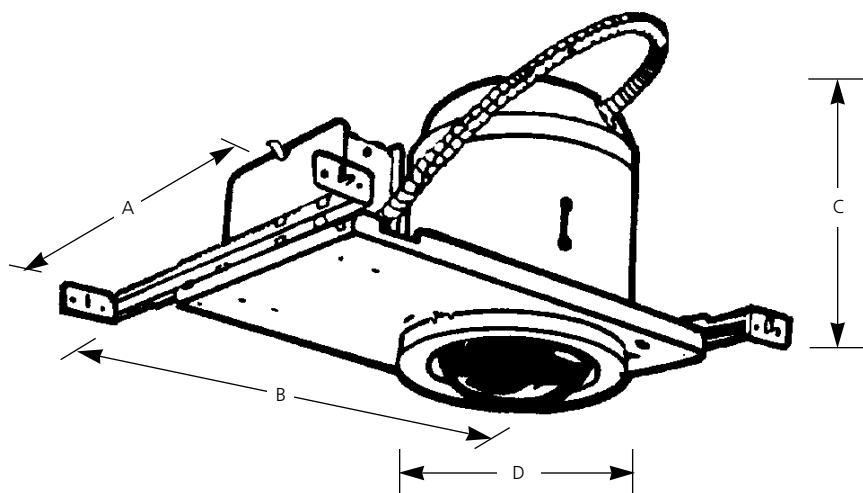


Type _____
-16TG
P6952

| Catalog No. | Finish Satin Aluminum | Lamping | Dimensions (Inches) | | | |
|-------------|-----------------------------|----------------|-----------------------|----|-------|-------|
| | | | A | B | C | D |
| P6952 | -16TG | 250 R40 Heater | 8-3/8 | 13 | 7-3/4 | 7-3/4 |
| | | | Ceiling opening 6-7/8 | | | |



Specifications:

Wiring

- Universal junction box with snap out sides
- Removable housing for field inspection of wiring
- Grounding pigtail
- 1/2" & 3/4" knock outs for rigid or BX fittings
- Rated for 8 #12 90 degree conductors (4 in, 4 out)

Construction

- Steel construction throughout
- Maximum ceiling thickness 1-1/2"
- Full wrap around plaster frame
- Removable KO for remodel use (P8607-01 plaster frame clips also required)

Bar Hangers

- 26" bar hangers span 24" T-bar spacing

- Captive

- Lock to secure housing

Electrical

- Medium based porcelain socket with nickel plated brass screw shell
- Socket mounted in fixed position
- Pre-wired

Labeling

- Non-IC rated
- UL listed for damp locations and through branch wiring

Trim

- Aluminum construction with light satin finish
- Open trim
- Trim installs with coil springs and fits tight to ceiling