

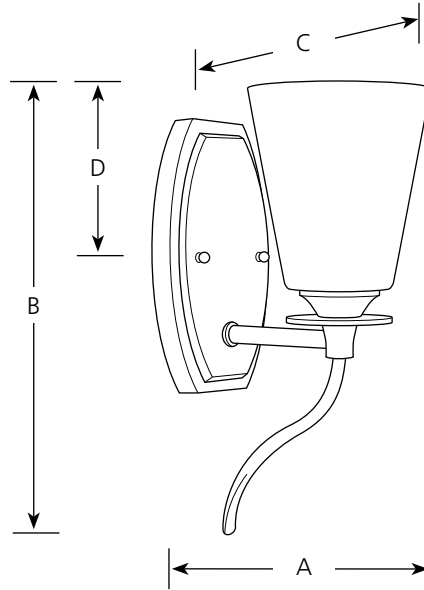
Type _____

-77

P3216

Finish

Catalog No.	Forged Bronze	Lamping	Dimensions (Inches)			
			A	B	C	D
P3216	-77	1 (m) 100w	4-3/4	12-7/8	7-1/8	4-1/2



Specifications:

General

- Seeded topaz glass shade, 4-1/2" dia. x 5-1/2" T, 1-3/4" dia. center hole
- Flat bobèche and pinched tail
- Hand painted forged bronze finish
- Can be mounted in the "up" or "down" position
- Steel construction
- Companion chandelier, hall and foyer, wall bracket, close to ceiling, pendant, and bath and vanity units

Mounting

- Wall mounted
- Backplate Dimensions: 4-3/4" W x 8" T x 1" deep
- Canopy covers a standard 4" hexagonal outlet box
- Mounting strap for outlet box included

Electrical

- Ceramic medium based socket
- Pre-wired

Labeling

- UL-CUL damp location listed