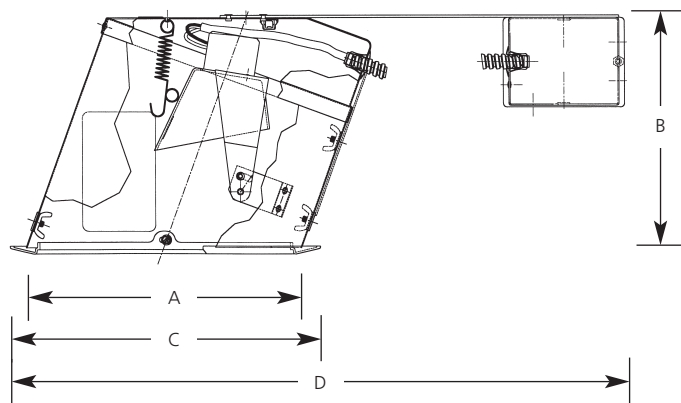


Type _____

P245-TG

Catalog No.	Lamping	Dimensions (Inches)			
		A	B	C	D
P245-TG	75w Par38/BR40	8	7-13/16	10-3/16	20
		Ceiling opening = 9			



- Trim must be ordered separately.

Specifications:

Wiring

- Universal heavy gauge junction box screw-lock door
- Grounding pigtail
- 1/2" pryouts

Construction

- Galvanized steel construction
- Housing adjusts from 1/2" to 1-1/2" thick ceilings
- Adjustable slide bars lock unit into ceiling
- Porcelain socket with nickel-plated brass screw shell

Labeling

- UL-CUL listed for damp location and

feed through wiring (2in, 2out, 12ga.)

- IC rated

Lamp/Trim

- Lamp in vertical position from 9-45 degree sloped ceiling (2/12 to 12/12)
- Lamp is adjustable from below ceiling
- Single spring attachment of trim
- Trim flange mounts permanently to housing with two sheet metal screws