



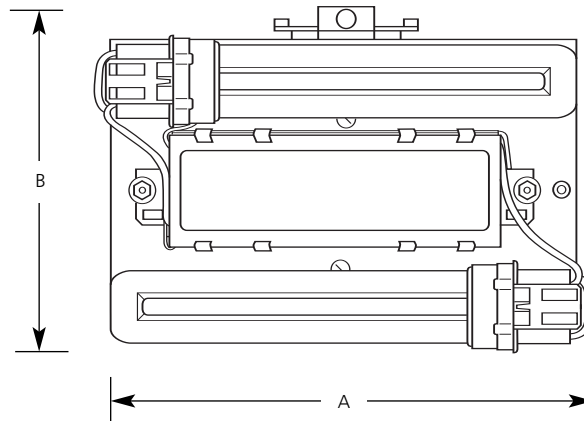
Compact Fluorescent

**Back Plate for
Wall Pockets
Standard Ballast**

Wall Sconce

Type _____
-30
P7200

Catalog No.	Finish		Socket	Dimensions (Inches)	
	White	Lamping		A	B
P7200	-30	2-13w Twin CF	GX23	7-3/4	4-3/4



Specifications:

General

- Surface mounted back plate
- Painted White finish
- Steel construction
- Locking thumb nut to retain diffuser

Electrical

- 120V HPF magnetic ballast
- Pre-wired

Labeling

- UL-CUL listed

Mounting

- Wall mounted
- Mounts vertically or horizontally depending on diffuser used
- Covers outlet box
- Universal outlet box mounting plate supplied
- Secured to mounting plate with two cap nuts

Progress Lighting
Post Office Box 5704
Spartanburg, South Carolina
29304-5704

www.progresslighting.com

Rev. 1/04



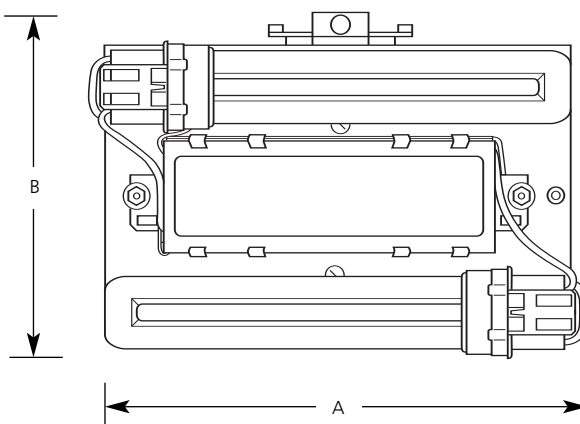
Compact Fluorescent

**Back Plate for
Wall Pockets
Electronic Ballast**

Wall Sconce

Type _____
-30EB
P7200

Catalog No.	Finish	Lamping	Socket	Dimensions (Inches)	
	White			A	B
P7200	-30EB	2-13w Quad CF (4-pin)	G24q-1	7-3/4	4-3/4



Specifications:

General

- Surface mounted back plate
- Painted White finish
- Steel construction
- Locking thumb nut to retain diffuser

Electrical

- 120V HPF electronic ballasts
- Pre-wired

Labeling

- UL-CUL listed

Mounting

- Wall mounted
- Mounts vertically or horizontally depending on diffuser used
- Covers outlet box
- Universal outlet box mounting plate supplied
- Secured to mounting plate with two cap nuts

Progress Lighting
Post Office Box 5704
Spartanburg, South Carolina
29304-5704

www.progresslighting.com

Rev. 1/03



Compact Fluorescent

**Back Plate for
Wall Pockets
Energy Star**

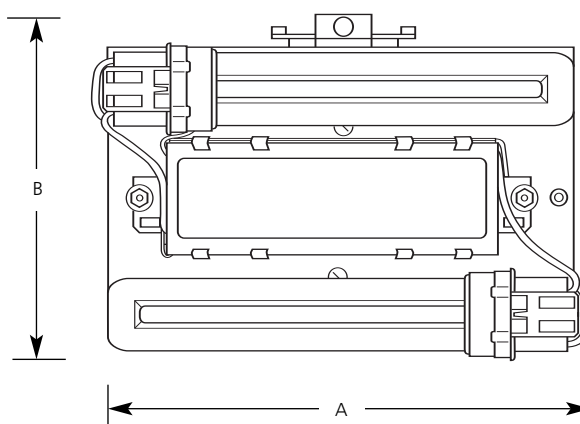
Wall Sconce

Type _____

-30STRWB

P7200

Catalog No.	Finish		Lamping	Socket	Dimensions (Inches)	
	White				A	B
P7200	-30STRWB		2-13w Quad CFL (4-pin)	G24q-1	7-3/4	4-3/4



Specifications:

General

- Surface mounted back plate
- Painted White finish
- Unit complies with Energy Star requirements
- Locking thumb nut to retain diffuser
- Steel construction

Electrical

- Pre-wired
- 120v NPF electronic ballast
- G24q-1 sockets

Labeling

- UL-CUL listed

Mounting

- Wall mount
- Mounts vertically or horizontally
- Back plate covers a standard 4" octagonal recessed outlet box
- Universal outlet box mounting plate supplied
- Secured to mounting plate with two cap nuts



Progress Lighting
Post Office Box 5704
Spartanburg, South Carolina
29304-5704

www.progresslighting.com