



Compact Fluorescent

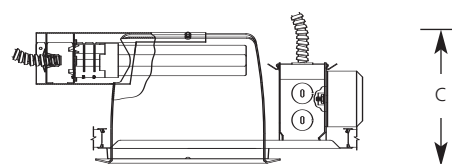
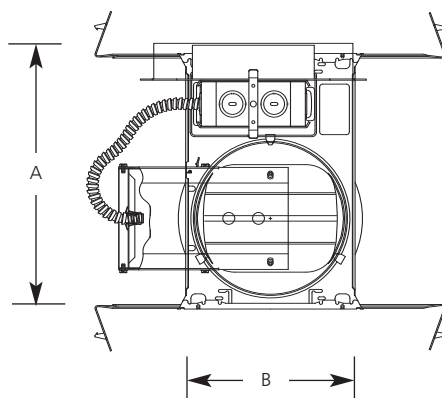
**6" Pro-Optic™ Housing**  
**26w Quad Tube**  
**2 Horizontal Lamps**  
**Non-IC**

**Recessed**

Type \_\_\_\_\_  
 -277 -EB -DM  
 P66

**Dimensions (Inches)**

Catalog No.	Lamping	Dimensions (Inches)		
		A	B	C
P66	(2) 26w Quad Tubes	10-3/4	7-7/8	5-1/4
		Ceiling Opening = 6-7/8		
		Maximum Ceiling Thickness = 1-1/4		



• Trim must be ordered separately; P8030 trim shown above

**Specifications:**

Electrical

- Universal heavy gauge junction box with snap-out sides
- Grounding pigtail
- 1/2" & 3/4" pryouts for rigid or BX fittings
- Rated for 8 #12 90-degree conductors (4 in, 4 out)
- All ballast options contain thermal protection and are HPF
- All electronic ballast options contain end of life circuit protection
- Dimmable ballast is 2-wire line voltage power and control

Construction

- Double horizontal 26w Quad tube compact fluorescent
- Notched housing for chalkline or laser alignment
- Full wrap-around mounting frame
- Removable cutouts for remodel use (P8607-01 plaster frame clips also required)
- Galvanized steel construction
- Trims adjust to accommodate 1/2" to 1-1/4" thick ceilings

Bar Hangers

- Integral nailers for wood joist construction
- Integral T-bar mounting clamps
- Securely span 24" T-bar spacing
- Integral set-screw lock to secure housing
- Captive and factory installed
- 90-degree mounting for tight spaces
- Galvanized steel

Labeling

- UL 1570 and CUL listed for damp location and through branch wiring
- Non-IC rated
- Approved for use in New York City per calendar #42270
- See P66-FB for fire-rated applications

Lamp/Trim

- Socket box mounts securely to re-flector for consistent lamp positioning
- Lamps positioned in reflector to optimize photometric performance
- Trim retention accomplished by use of 3 spring clips located inside aperture of frame-in
- Trim must be ordered separately

Options

- All emergency battery pack options are factory installed and pre-wired (See emergency section for specifications)

Catalog #	Description	Base	Line		Min. Start Temp
			Current Amps	Input Watts	
P66	120V Magnetic	G24d-3	.42	50	50
P66-277	277V Magnetic	G24d-3	.26	62	15
P66-EB	120V Electronic	G24q-3	.45	54	-4
P66-EM	120V Magnetic Emergency	G24d-3	.42	50	50
P66-277EM	277V Magnetic Emergency	G24d-3	.26	62	15
P66-EBEM	120V Electronic Emergency	G24q-3	.45	54	-4
P66-DM	120V Electronic Dimmable	G24q-3	.48	58	50

\* Technical data is for two lamps.

Progress Lighting  
 Post Office Box 6701  
 Greenville, South Carolina 29606

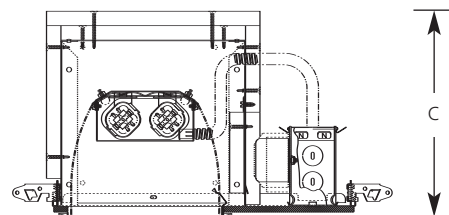
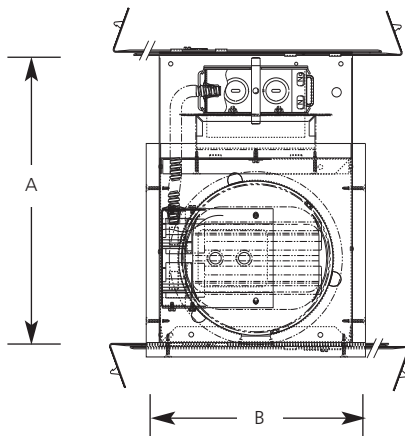
www.progresslighting.com

Rev. 6/07

	Type _____			
	-FB	-277FB	-EBFB	-DMFB
P66	<input type="checkbox"/>	<input type="checkbox"/>	<input type="checkbox"/>	<input type="checkbox"/>

Catalog No.	Lamping
P66-FB	(2) 26w Quad Tubes

Dimensions (Inches)		
A	B	C
13-1/4	9-9/16	9-1/16
Ceiling Opening = 6-7/8		
Maximum Ceiling Thickness = 1-1/4		



• Trim must be ordered separately; P8030 trim shown above

**Specifications:**

Electrical

- Universal heavy gauge junction box with snap-out sides
- Grounding pigtail
- 1/2" & 3/4" pryouts for rigid or BX fittings
- Magnetic 120V HPF ballast
- Rated for 8 #12 90-degree conductors (4 in, 4 out)
- All ballast options contain thermal protection and are HPF
- Electronic ballast option contains end of life circuit protection and can be wired for 120/277V
- Dimmable option provides a continuous dimming range from 100-10%
- Dimmable option requires use of special reverse phase control:  
Lutron - any "ELV" control

- Integral set-screw lock to secure housing
- Captive and factory installed
- 90-degree mounting for tight spaces
- Galvanized steel

Labeling

- UL 1570 and CUL listed for damp location and through branch wiring
- Non-IC rated
- UL Classified to maintain fire ratings of 1 hour or less for all L500 series fire rated ceiling/floor assemblies

Lamp/Trim

- Socket box mounts securely to re-reflector for consistent lamp positioning
- Trim retention accomplished by use of 3 spring clips located inside aperture of frame-in

Construction

- Double horizontal 26w Quad tube compact fluorescent
- Notched housing for chalkline or laser alignment
- Trims adjust to accommodate 1/2" to 1-1/4" thick ceilings
- 6 pieces of UL Classified fire resistant gypsum board attached to recessed housing
- Fiberglass gasket on bottom of frame to minimize heat transfer into ceiling cavity

Catalog #	Description	Line Base	Current Amps	Input Watts	Min. Start Temp
P66-FB	120V Magnetic	G24d-3	.42	50	50
P66-277FB	277V Magnetic	G24d-3	.26	62	15
P66-EBFB	120/277V Electronic	G24q-3	.45	54	-4
P66-DMFB	120V Electronic Dimmable	G24q-3	.40	49-18	50

\* Technical data is for two lamps.

Bar Hangers

- Integral nailers for wood joist construction
- Integral T-bar mounting clamps
- Securely span 24" T-bar spacing

Progress Lighting  
 Post Office Box 6701  
 Greenville, South Carolina 29606

