



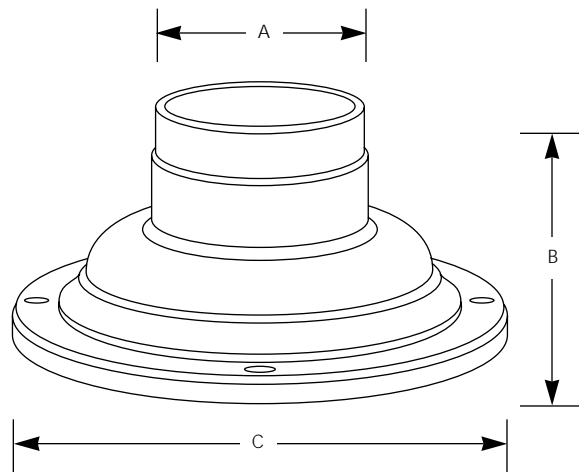
Accessories

**Pedestal Mount
Post Top Adapter**

Outdoor

	Type _____									
	-10	-18	-25	-30	-31	-33	-40	-44	-50	-56
P8726	<input type="checkbox"/>	<input type="checkbox"/>	<input type="checkbox"/>	<input type="checkbox"/>	<input type="checkbox"/>	<input type="checkbox"/>	<input type="checkbox"/>	<input type="checkbox"/>	<input type="checkbox"/>	<input type="checkbox"/>

Catalog No.	Finish										Dimensions (Inches)		
	Polished Venetian		Cobble- stone	Mill- stone	Oxford Silver	Golden Baroque	Antique Bisque	A	B	C			
Brass	Gold	Verde									White	Black	
P8726	-10	-18	-25	-30	-31	-33	-40	-44	-50	-56	3	3-1/4	7



Specifications:

General

- Cast aluminum for painted finishes
- Powder coated finish for painted finishes
- Hand painted finishes
- Polished solid brass

Mounting

- Accepts any single lantern which fits 3" post (Except P5405-31)
- Mounts post top lanterns on pedestals or walls
- #12 mounting screws provided

Progress Lighting
Post Office Box 5704
Spartanburg, South Carolina
29304-5704

www.progresslighting.com

Rev. 8/99