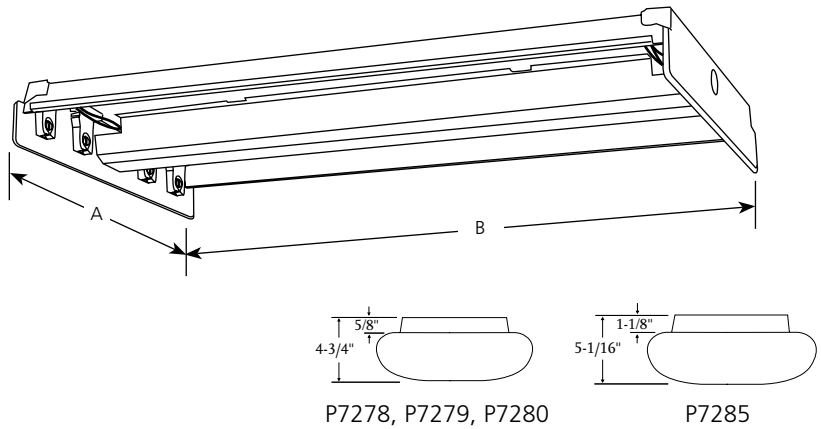


Type _____
 -60ESHSG
 P7278
 P7279
 P7280
 P7285

Catalog No.	Finish	Lamping	Dimensions (Inches)	
	White		A	B
P7278	-60ESHSG	4-F20T12	18	28
P7279	-60ESHSG	2-F34T12	12	52
P7280	-60ESHSG	4-F34T12	18	52
P7285	-60ESHSG	2-FB34/6	27-1/4	30-3/4



Specifications:

General

- White steel chassis
- Sockets metal backed
- Easily removable cover for ballast access
- Recommend energy saving T12 lamps

Mounting

- Ceiling mounted
- Covers any outlet box

Electrical

- 120V HPF electronic ballasts (277V available on request)
- Bi-pin twist in sockets - "U" lamp are snap in
- Parallel lamp operation

Labeling

- UL-CUL listed

Type _____

-60TRM

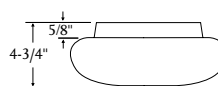
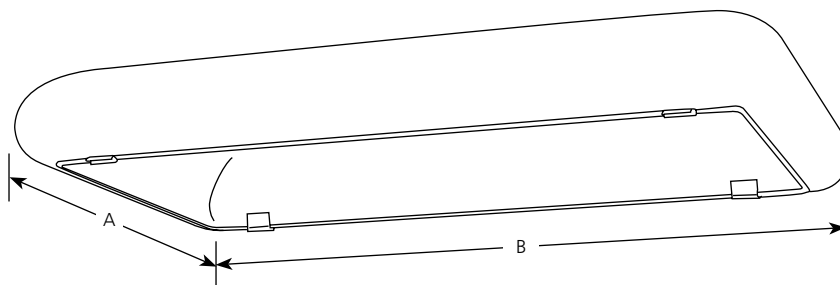
P7278

P7279

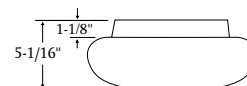
P7280

P7285

Catalog No.	Finish White	Dimensions (Inches)	
		A	B
P7278	-60TRM	18	28
P7279	-60TRM	12	52
P7280	-60TRM	18	52
P7285	-60TRM	27-1/4	30-3/4



P7278, P7279, P7280



P7285

*Overall fixture height shown including chassis

Specifications:

General

- White acrylic soft cloud diffusers
- Lift and shift removal for relamping and servicing
- Regressed reveal gives floating effect

Labeling

- UL-CUL listed



Linear Fluorescent

Soft Cloud Housings
T8 Electronic Ballasts

Type _____

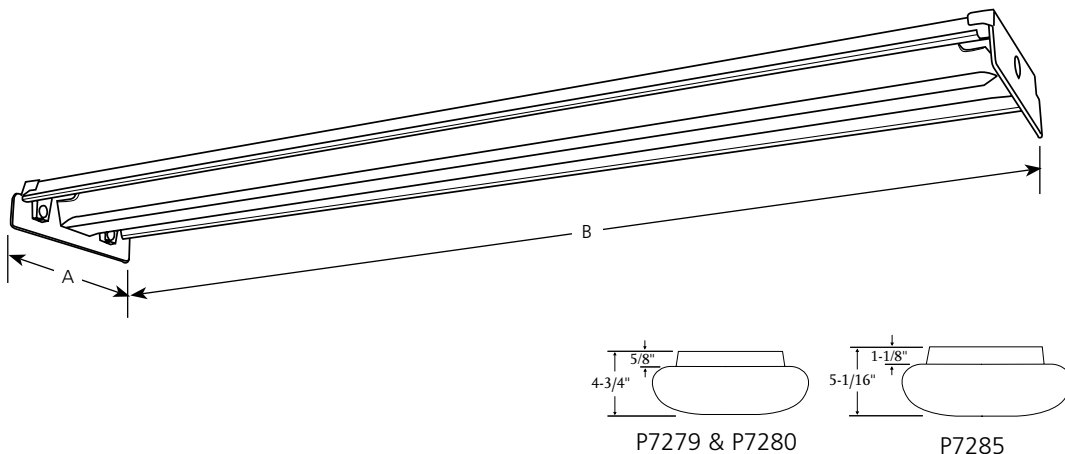
-60EBHSG

P7279

P7280

P7285

Catalog No.	Finish White	Lamping	Dimensions (Inches)	
			A	B
P7279	-60EBHSG	2-F32T8	12	52
P7280	-60EBHSG	4-F32T8	18	52
P7285	-60EBHSG	2-FB32T8	27-1/4	30-3/4



Specifications:

General

- White steel chassis
- Sockets metal backed
- Easily removable cover for ballast access
- Utilizes T8 lamps for electronic ballasts

Mounting

- Ceiling mounted
- Covers any outlet box

Electrical

- 120V HPF electronic ballasts
- Bi-pin twist in sockets - "U" lamp are snap in

Labeling

- UL-CUL listed



Progress Lighting
701 Millennium Boulevard
Greenville, South Carolina 29607

www.progresslighting.com

Rev. 4/07

P7280-60ES

SOFT CLOUD

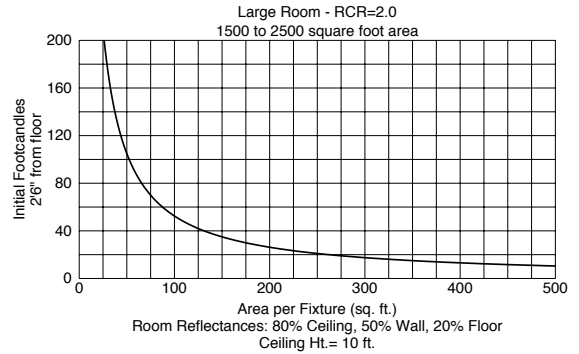
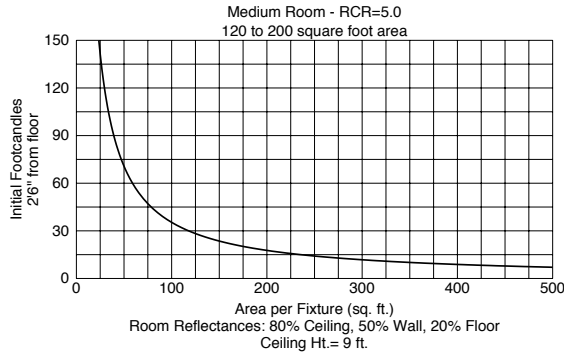
Report No. 2000043

No. Lamps: 4 Type Lamp: F34T12 GE Total Lumens: 11400

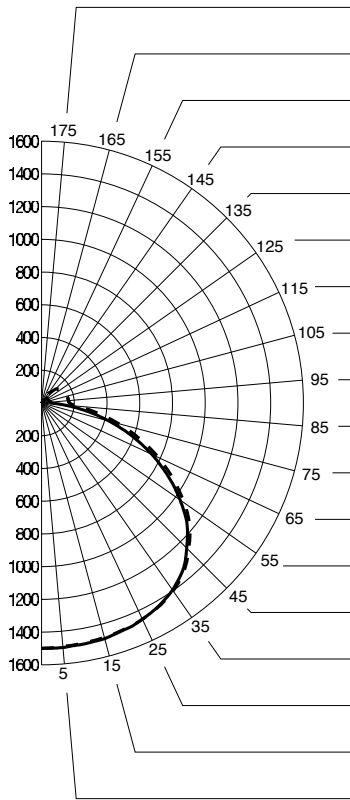
Fixture Efficiency: 53.1%

S/MH Ratio: 1.4 (0) 1.4 (90)

Quick Calculator Charts



DISTRIBUTION CURVE



INTENSITY DATA

DEGREES	CANDELA	
	AT 0°	AT 90°
180	0	0
175	0	0
170	0	0
165	0	0
160	4	46
155	5	55
150	5	61
145	6	70
140	15	84
135	43	119
130	50	131
125	54	139
120	56	146
115	57	152
110	58	157
105	58	160
100	56	163
95	56	165
90	61	169
85	141	226
80	274	345
75	427	489
70	587	638
65	743	788
60	892	930
55	1033	1065
50	1161	1182
45	1254	1271
40	1340	1350
35	1395	1401
30	1432	1435
25	1458	1458
20	1475	1472
15	1491	1483
10	1495	1488
5	1500	1493
0	1499	1499

Single Fixture Data

Ceiling Ht. (Ft.)	10% Values		Zero Degrees	50% Values	
	Beam Angle - 115			Beam Angle - 71	
	Ft.-C	Beam Dia.	Ft.-C	Ft.-C	Beam Dia.
8	5.0	17	49.6	24.8	8
10	2.7	24	26.6	13.3	11
12	1.7	30	16.6	8.3	14
14	1.1	36	11.3	5.7	16
16	0.8	43	8.2	4.1	19

Ft.-C (Footcandles) are initial and measured 2'-6" from floor

ZONAL CAVITY COEFFICIENTS OF UTILIZATION

RC	Effective Floor Cavity Reflectance 0.20																							
	80				70				50				30				10				0			
	70	50	30	10	70	50	30	10	50	30	10	50	30	10	50	30	10	50	30	10	50	30	10	
0	62	62	62	62	60	60	60	60	56	56	56	53	53	53	49	49	49	48	48	48	48	48	48	
1	56	53	51	48	54	51	49	47	48	46	45	45	44	42	42	41	40	39	39	39	39	39	39	
2	50	46	42	39	49	44	41	38	42	39	36	39	37	34	37	35	33	31	31	31	31	31	31	
3	46	40	35	32	44	39	34	31	36	33	30	34	31	29	32	30	27	26	26	26	26	26	26	
4	42	35	30	26	40	34	29	26	32	28	25	30	27	24	28	26	23	22	22	22	22	22	22	
5	38	31	26	22	37	30	26	22	28	24	21	27	23	21	25	22	20	19	19	19	19	19	19	
6	35	28	23	19	34	27	22	19	25	21	18	24	21	18	23	20	17	16	16	16	16	16	16	
7	32	25	20	17	31	24	20	17	23	19	16	22	18	16	21	18	15	14	14	14	14	14	14	
8	30	23	18	15	29	22	18	15	21	17	14	20	16	14	19	16	14	12	12	12	12	12	12	
9	28	21	16	13	27	20	16	13	19	15	13	18	15	12	17	14	12	11	11	11	11	11	11	
10	26	19	15	12	25	19	15	12	18	14	12	17	14	11	16	13	11	10	10	10	10	10	10	