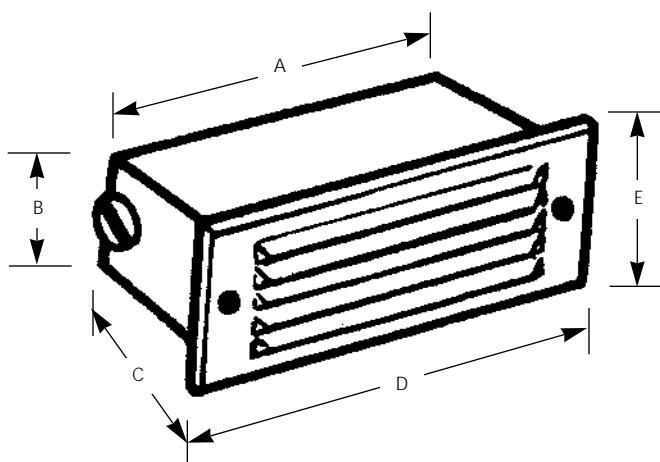


Type _____
 -31
 P6803

Catalog No.	Finish		Dimensions (Inches)				
	Black	Lamping	A	B	C	D	E
P6803	-31	1 (Int) 25w 6-1/2	7-3/4	2-1/2	3-1/8	8-5/16	3-1/8



Specifications:

General

- Sized to replace standard brick dimensions
- Cast aluminum housing
- Stamped aluminum louvered face plate painted black
- White aluminum interior reflector
- Clear acrylic panel mounted behind the louver to provide a sealed unit

Mounting

- Recessed mounting in brick, masonry, and poured concrete
- Wood mounting not available

Electrical

- Intermediate base phenolic socket
- Three 1/2" I.P. conduit entries
- Can wire units in rows without need for separate outlet boxes
- Pre-wired

Labeling

- UL-CUL wet location listed