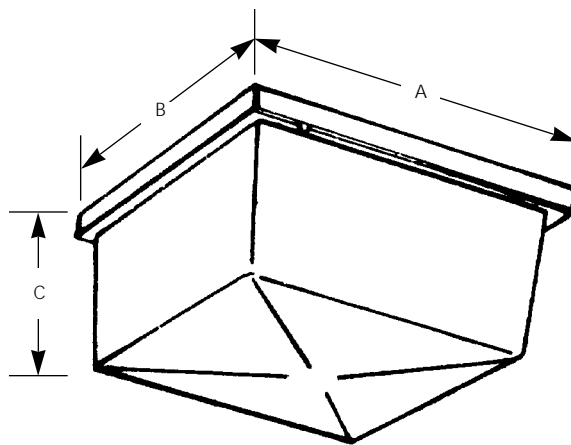


Type \_\_\_\_\_  
 -60 -68  
 P5791

Catalog No.	Diffuser		Lamping	Dimensions (Inches)		
	White Ribbed	Clear Prismatic		A	B	C
P5791	-60	-68	2-75w A19	10-1/2	10-1/2	4



**Specifications:**

General

- White Steel back plate
- UV stabilized polycarbonate diffuser (see "options" below)
- Diffuser completely covers back plate - flush to ceiling or wall
- Diffuser held in place with stainless steel tamper proof screws
- Tamper proof driver provided with each fixture

Mounting

- Ceiling or wall mounted
- Covers any outlet box
- Outlet box mounting strap provided for center lock up mounting

Options

- White ribbed diffuser - specify suffix "60"
- Clear prismatic diffuser - specify suffix "68"

Electrical

- Medium base porcelain socket with nickel plated brass screw shell

Labeling

- UL-CUL wet location listed