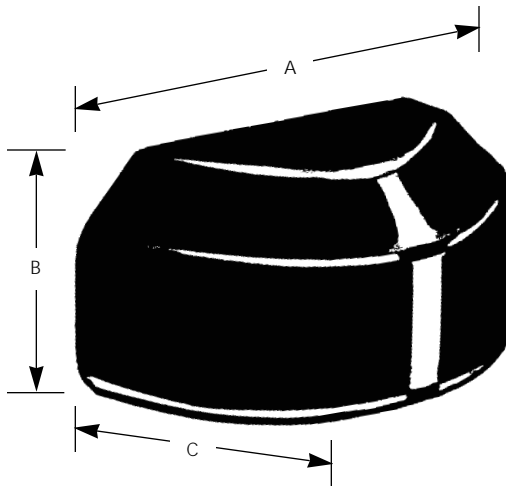
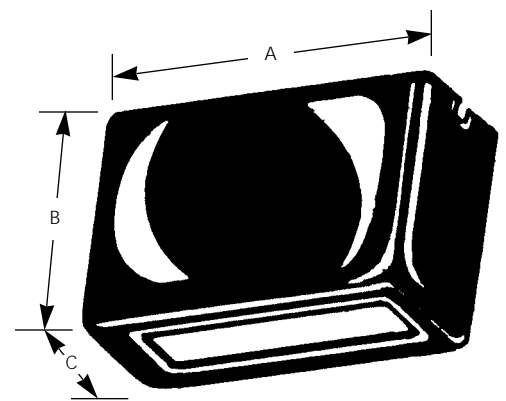


|       |                          |                          |
|-------|--------------------------|--------------------------|
| Type  | _____                    |                          |
|       | -31WB                    | -54WB                    |
| P5223 | <input type="checkbox"/> | <input type="checkbox"/> |
| P5224 | <input type="checkbox"/> |                          |

| Catalog No. | Finish |              |                           | Dimensions (Inches) |       |       |
|-------------|--------|--------------|---------------------------|---------------------|-------|-------|
|             | Black  | Natural Deck | Lamping                   | A                   | B     | C     |
| P5223       | -31WB  | -54WB        | 1-13w T5 wedge (included) | 3                   | 1-1/2 | 1-7/8 |
| P5224       | -31WB  | N/A          | 1-13w T5 wedge (included) | 3                   | 1-3/4 | 1-3/8 |



P5223



P5224

**Specifications:**

General

- Cast aluminum construction
- Powder coat Black (-31) or Natural Deck (-54) finishes (P5223 only)
- P5224 has a sealed lens in the bottom of the unit

Mounting

- P5223 - Mounts directly to vertical posts - width is less than a standard 4x4
- P5224 - Mounts under railings - width less than the 4" nominal dimension of a 2x4

Electrical

- Wedge based socket
- Lamp included (#912)
- P5223 furnished with 72" of wire
- P5224 designed to take feed through or termination of #12 and #16 cable for continuous runs or end of run
- Both units must be wired to an approved 12 volt transformer

Labeling

- UL-CUL wet location listed