



Compact Fluorescent

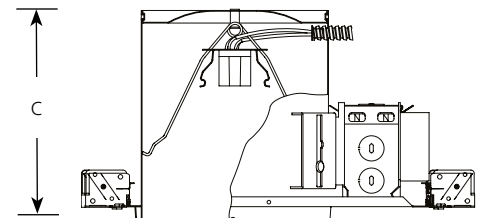
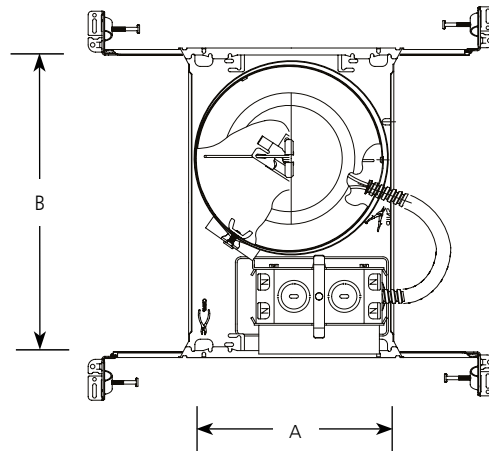
6" Single Vertical Lamp Housing IC/Air-Tight/Energy Star Dimming

Recessed

Type _____

P83-26ICATDM

| Catalog No. | Lamping | Dimensions (Inches) | | |
|--------------|---------------------------|---------------------|--------|--------------------------------|
| | | A | B | C |
| P83-26ICATDM | (1) 26w Triple CF (4-pin) | 7-7/8 | 10-3/4 | 7-1/2 Ceiling Opening 6-7/8 |



Specifications:

Wiring

- Universal junction box with snap-out sides
- Removable housing for field inspection of wiring
- Grounding pigtail
- Knockout free Romex clamps
- 1/2" & 3/4" Knock outs for rigid or BX fittings
- Electronic NPF(.80), 120-volt ballast with end of life protection. (150% THD)
- Dimming ballast down to 15% lamp output
- Ballast is compatible with most electromechanical incandescent dimming switches
- Pre-installed 4-port wire quick connects

- Rigid male/female design spans 24" for suspended ceilings
- Lock to secure housing
- Captive with extension stop tab
- 90-degree mounting for tight spaces
- Joint alignment tab

Labeling

- UL-CUL listed for damp locations
- Not rated for through branch wiring, but can be daisy chained
- Complies with Washington State Energy Code (WSEC) requirement for Air tight
- Complies with California Title 24 Legislation
- Complies with Energy Star
- IC rated

Construction

- Notched housing for chalkline alignment
- Full wrap-around plaster frame
- Removable K.O. for remodel use (P8607-01 plaster frame clips also required)
- Galvanized steel construction
- Toolless adjustment for 1/2" to 2-1/2" thick ceilings

Lamp/Trim

- Trim-Lok® action forces trim to fit snugly against the ceiling
- Socket mounts to trim for optimum performance, and provides consistent vertical lamp position
- Single-lamp vertical 26w (4-pin) G24q-3 or GX24q-3 compact fluorescent
- Foil gasket included to complete air-tight installation

Bar Hangers

- Integral II ga. fluted nail for wood joist construction
- Integral snap-on T-bar mounting clip



Progress Lighting
701 Millennium Blvd.
Greenville, South Carolina
29607

www.progresslighting.com