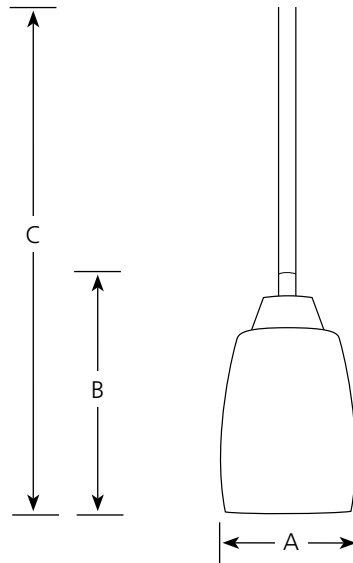


Type _____

-09 -20

P5108

Catalog No.	Finish		Lamping	Dimensions (Inches)		
	Brushed Nickel	Antique Bronze		A	B	C
P5108	-09	-20	1 (m) 100w	4	6-3/4	63



Specifications:

General

- Etched glass tulip shaped shade, 4" dia. x 5-1/4" T, 1-5/8" center hole
- Brushed Nickel (-09) finish is plated
- Antique Bronze (-20) is hand painted
- Steel construction
- 2- 12" and 2- 15" matching stem sections supplied with concealed connectors
- Companion chandelier, hall and foyer, pendant, close to ceiling, wall bracket, and bath and vanity units

Mounting

- Ceiling stem mounted
- Canopy has a hang straight swivel which can be used on sloped ceilings
- Canopy covers a standard 4" hexagonal outlet box
- Mounting strap for outlet box included

Electrical

- Ceramic medium based sockets
- 10 feet of wire
- Pre-wired

Labeling

- UL-CUL listed



Compact Fluorescent

Westin
Energy Star

Mini-Pendant

Type _____

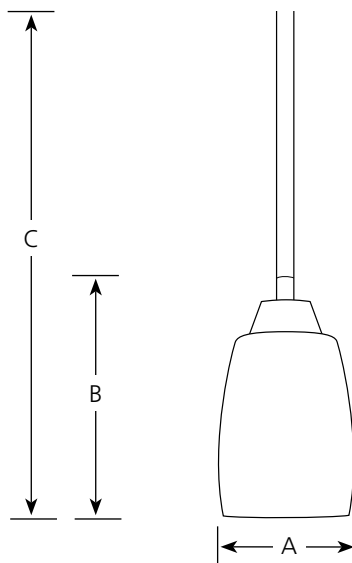
-09EBWB -20EBWB

P5108

Finish

Dimensions (Inches)

Catalog No.	Finish		Lamping	Dimensions (Inches)		
	Brushed Nickel	Antique Bronze		A	B	C
P5108	-09EBWB	-20EBWB	1 13w CFL Included	4	6-3/4	63



Specifications:

General

- Etched glass tulip shaped shade, 4" dia. x 5-1/4" T, 1-5/8" center hole
- One 13 watt Compact Fluorescent lamp included
- Brushed Nickel (-09) finish is plated
- Antique Bronze (-20) is hand painted
- Steel construction
- 2- 6", 1- 12" and 2- 15" matching stem sections supplied with concealed connectors
- Energy Star certified
- Companion chandelier, hall and foyer, pendant, close to ceiling, wall bracket, and bath and vanity units

Mounting

- Ceiling stem mounted
- Canopy has a hang straight swivel which can be used on sloped ceilings
- Canopy covers a standard 4" hexagonal outlet box
- Mounting strap for outlet box included

Electrical

- GU24 based sockets
- 10 feet of wire
- Pre-wired

Labeling

- UL-CUL listed



Progress Lighting
701 Millennium Blvd.
Greenville, South Carolina
29607

www.progresslighting.com