



Compact Fluorescent

6" Pro-Optic™ Housing
26w Quad Tube
2 Horizontal Lamps
Non-IC

Recessed

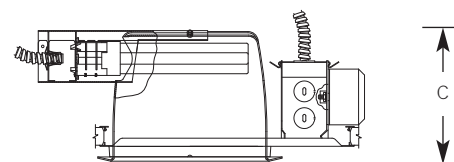
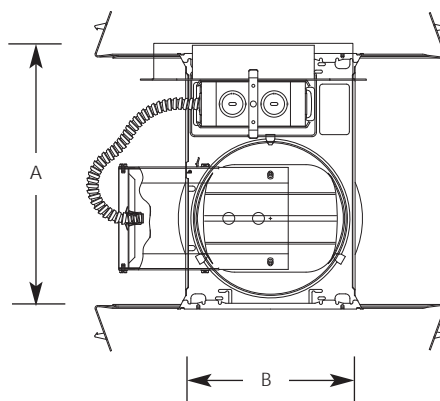
Type _____
 -EB -DM
 P66

Catalog No. P66
Lamping (2) 26w Quad Tubes

Dimensions (Inches)

A 14
B 9
C 5

Ceiling Opening = 6-1/4
 Maximum Ceiling Thickness = 1-1/4



• Trim must be ordered separately; P8030 trim shown above

Specifications:

Electrical

- Universal heavy gauge junction box with snap-out sides
- Grounding pigtail
- 1/2" & 3/4" pryouts for rigid or BX fittings
- Rated for 8 #12 90 degree conductors (4 in, 4 out)
- Thermal and end of life ballast protection
- P66-EB includes 120/277v HPF electric ballast with end of life protection
- P66-DM includes 120v HPF electronic ballast. Dimmable to 5% with 2-wire switches compatible with Advance Mark X ballasts.

Construction

- 2 horizontal 26w Quad tube compact fluorescent G24q-3
- Notched housing for chalkline or laser alignment
- Full wrap-around mounting frame
- Galvanized steel construction
- Trims adjust to accommodate 1/2" to 1-1/4" thick ceilings

Bar Hangers

- Integral nailers for wood joist construction
- Integral T-bar mounting clamps
- Securely span 24" T-bar spacing
- Integral set-screw lock to secure housing
- Captive and factory installed
- Galvanized steel

Labeling

- UL and CUL listed for damp location and through branch wiring
- Non-IC rated
- Approved for use in New York City per calendar #42270

Lamp/Trim

- Socket box mounts securely to reflector for consistent lamp positioning
- Lamps positioned in reflector to optimize photometric performance
- Trim retention accomplished by use of 3 spring clips located inside aperture of frame-in
- Trim must be ordered separately

Options

- Factory wired emergency battery with internal test switch and indicator light available by adding 'EM' to end of housing sku number (MTO only)

Catalog #	Description	Line Base	Current Amps	Input Watts	Min. Start Temp
P66-EB	120V Electronic	G24q-3	.45	54	0
P66-DM	120V Electronic Dimmable	G24q-3	.48	58	50

* Technical data is for two lamps.

Open Cone

- P8030-28 Ptd. White
- P8030-21A Clear Alzak
- P8030-22A Gold Alzak
- P8030-17A Pewter Alzak
- P8030-61 Straw Alzak (MTO)
- P8030-64 Wheat Alzak (MTO)
- P8030-67 Haze Alzak (MTO)

Open Baffle

- P8031-28 Ptd. White
- P8031-31 Ptd. Black

Lensed Wet Location

- P8034-83 White Fresnel
- P8035-68 White Prismatic

Wall Wash

- P8032-21 Clear Alzak

Progress Lighting
 701 Millennium Blvd.
 Greenville, South Carolina
 29607

www.progresslighting.com



Compact Fluorescent

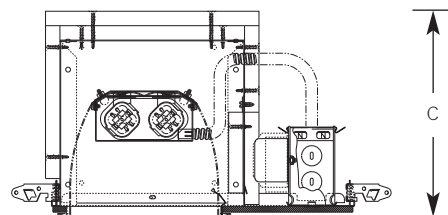
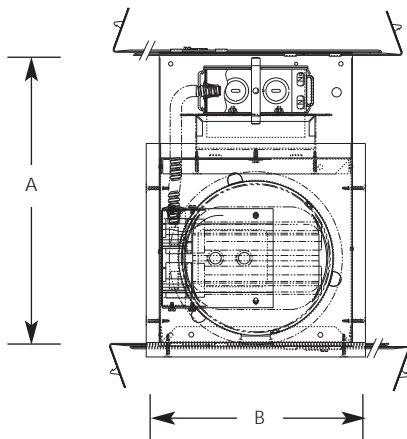
6" Pro-Optic™ FireBox®
26w Horizontal
1-Hour Fire Resistant
Non-IC

Recessed

Type _____
 -EBFB -DMFB
 P66

Catalog No. P66
Lamping (2) 26w Quad Tubes

Dimensions (Inches)
A 13-1/4
B 9-9/16
C 9-1/16
 Ceiling Opening = 6-7/8
 Maximum Ceiling Thickness = 1-1/4



• Trim must be ordered separately; P8030 trim shown above

Specifications:

Electrical

- Universal heavy gauge junction box with snap-out sides
- Grounding pigtail
- 1/2" & 3/4" pryouts for rigid or BX fittings
- Rated for 8 #12 90-degree conductors (4 in, 4 out)
- P66-EBFB includes 120/277v HPF ballast with end of life protection
- P66-DMFB includes 120v HPF ballast. Dimmable to 5% with 2-wire switches compatible with Advance Mark X ballast

Construction

- 2 horizontal 26w Quad tube compact fluorescent G24q-3
- Notched housing for chalkline or laser alignment
- Trims adjust to accommodate 1/2" to 1-1/4" thick ceilings
- 6 pieces of UL Classified fire resistant gypsum board attached to recessed housing
- Fiberglass gasket on bottom of frame to minimize heat transfer into ceiling cavity

Bar Hangers

- Integral nailers for wood joist construction
- Integral T-bar mounting clamps
- Securely span 24" T-bar spacing
- Integral set-screw lock to secure housing
- Captive and factory installed
- 90-degree mounting for tight spaces
- Galvanized steel

Labeling

- UL/CUL listed for damp location and through branch wiring
- Non-IC rated
- UL Classified to maintain fire ratings of 1 hour or less for all L500 series fire rated ceiling/floor assemblies

Lamp/Trim

- Socket box mounts securely to re-flector for consistent lamp positioning
- Trim retention accomplished by use of 3 spring clips located inside aperture of frame-in

Catalog #	Description	Line			
		Lamp Base	Current Amps	Input Watts	Min. Start Temp
P66-EBFB	120/277V Electronic	G24q-3	.45/20	54	0
P66-DMFB**	120V Electronic Dimmable	G24q-3	.40	49-18	50

* Technical data is for two lamps.

** P66-DMFB MTO only

Progress Lighting
 701 Millennium Blvd.
 Greenville, South Carolina
 29607

www.progresslighting.com
 Patent# 6,357,891

