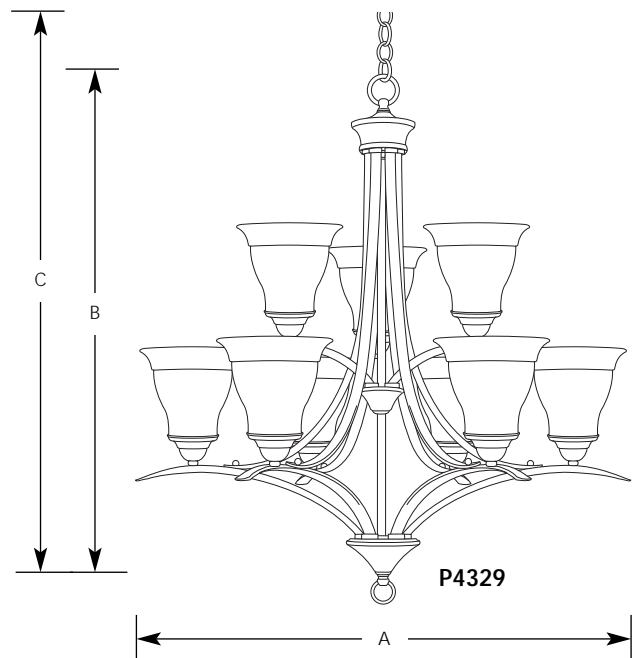
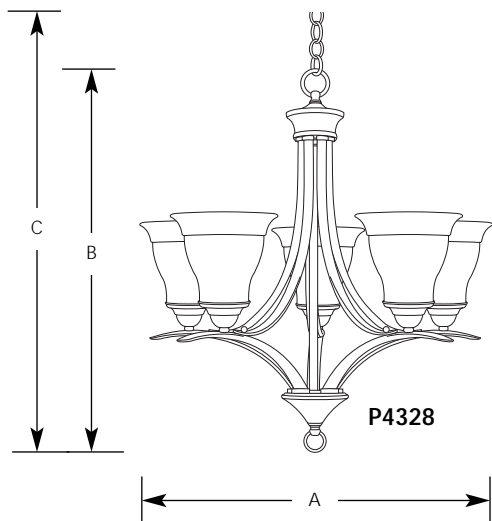


Type _____

	-09	-10	-20	-33
P4328	<input type="checkbox"/>	<input type="checkbox"/>	<input type="checkbox"/>	<input type="checkbox"/>
P4329	<input type="checkbox"/>	<input type="checkbox"/>	<input type="checkbox"/>	<input type="checkbox"/>

Catalog No.	Finish				Lamping	Dimensions (Inches)		
	Brushed Nickel	Polished Brass	Antique Bronze	Cobblestone		A	B	C
P4328	-09	-10	-20	-33	5 (m) 100w	23	24	99
P4329	-09	-10	-20	-33	9 (m) 100w	30	33	156



Specifications:

General

- Etched glass shades with slight banding
- P4328 is an uplight style five light chandelier
- P4329 is an uplight style two tier (6/3) nine light chandelier
- Oval tubing with pinched ends
- Brushed Nickel (-09) and Polished Brass (-10) finishes are plated
- Antique Bronze (-20) and Cobblestone (-33) are hand painted
- Steel Construction
- P4328 has 6 feet of 9 gauge chain supplied, P4329 has 10 feet of 9 gauge chain.
- Companion chandelier, hall and foyer, pendant, close to ceiling, wall bracket, and bath and vanity units

Mounting

- Ceiling chain mounted
- Canopy covers a standard 4" hexagonal outlet box
- Mounting strap for outlet box included
- Threaded socket ring secures glass

Electrical

- Ceramic medium based sockets
- 15 feet of wire
- Pre-wired

Labeling

- UL-CUL listed

Progress Lighting
 Post Office Box 5704
 Spartanburg, South Carolina
 29304-5704