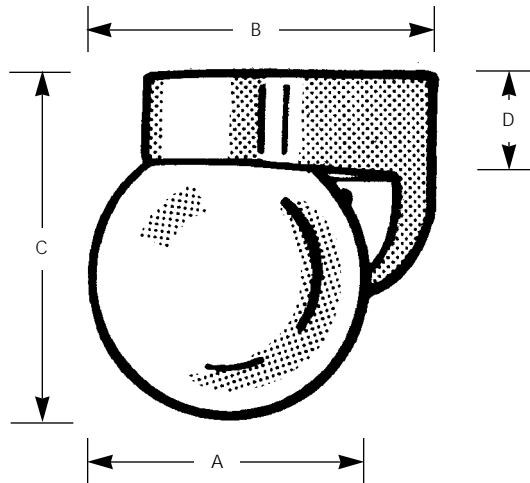


Type _____
 -30 -31
 P5813

Catalog No.	Finish		Lamping	Dimensions (Inches)			
	White	Black		A	B	C	D
P5813	-30	-31	1-60w A19	6	6-1/2	7-3/4	2-1/2



Specifications:

General

- Black or White finish
- Polycarbonate wall bracket
- 6" acrylic globe
- Globe twist-locks into place

Electrical

- Medium based sockets
- Porcelain with nickel-plated brass screw shell

Labeling

- UL-CUL wet location listed

Mounting

- Wall mount
- Covers outlet box
- Outlet box strap with center lock-up furnished
- Back plate 4-3/8" W., 4-3/4" ht.