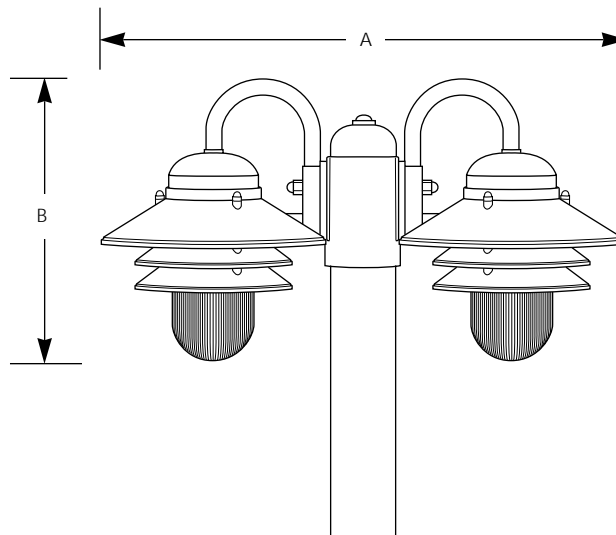


Type \_\_\_\_\_  
 -30 -31  
 P5493

Catalog No.	Finish		Lamping	Dimensions (Inches)	
	White	Black		A	B
P5493	-30	-31	2 (m) 60w	23-3/8	13



**Specifications:**

General

- Plastic outdoor lantern
- Clear, prismatic acrylic diffuser
- Rust and corrosion resistant
- Finish will not fade
- Twist on acrylic diffuser
- P5493 two post mount lanterns
- P5444 single post mount lantern
- Nautical style
- Companion Fixtures: Wall mount

Mounting

- Post top fitter for 3" post

Electrical

- Medium base phenolic sockets

Labeling

- UL-CUL wet location listed