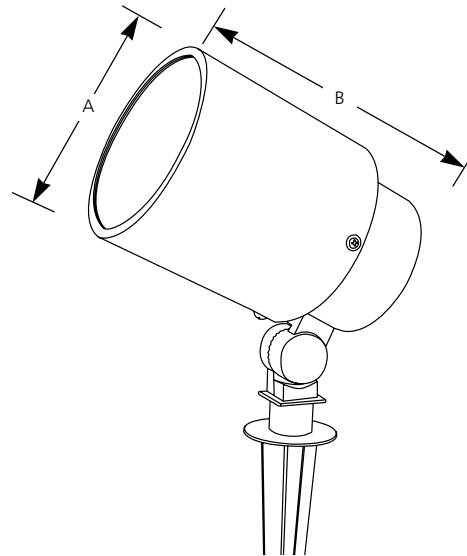


Type \_\_\_\_\_  
 -31  
 P5241

Catalog No.	Finish	Lamping	Dimensions (Inches)	
			A	B
P5241	-31	1-75w PAR30	4-3/4	6-5/8



**Specifications:**

General

- Die cast aluminum construction
- Powder coat paint finish
- Sealed clear lens cover
- Lens cover assembly removable for re-lamping
- Positive adjustment with locking screw for aiming

Mounting

- Mount on stake, landscape post, or stem (order separately)
- Mounts to weatherproof box (order separately)
- 1/2 NPS thread

Electrical

- 72" of wire furnished for connection to source
- Medium base porcelain socket
- Pre-wired

Labeling

- UL-CUL wet location listed