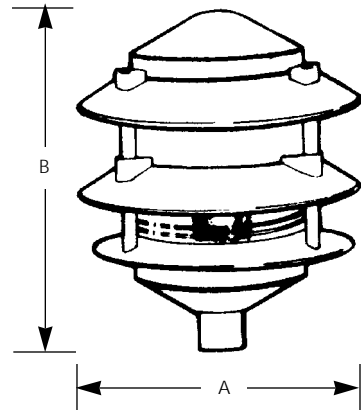


Type \_\_\_\_\_  
 -31 -38  
 P5219

Catalog No.	Finish		Lamping	Dimensions (Inches)	
	Black	Green		A	B
P5219	-31	-38	1-24w 12v S.C. Bay (#1156)	6	7



**Specifications:**

General

- Pagoda three tier style
- Clear glass liner
- Painted Black (-31) or Green (-38) finish
- Lamp replacement by removing the roof
- Aluminum construction

Mounting

- Mounts on stem, stake or box (order separately)
- 1/2" NPS thread

Electrical

- Socket - Single contact bayonet base
- 36" of extra wire furnished for connection to source
- Units must be wired to approved 12v transformer of proper capacity
- Recommend P8673-31R connectors or equal

Labeling

- UL-CUL wet location listed