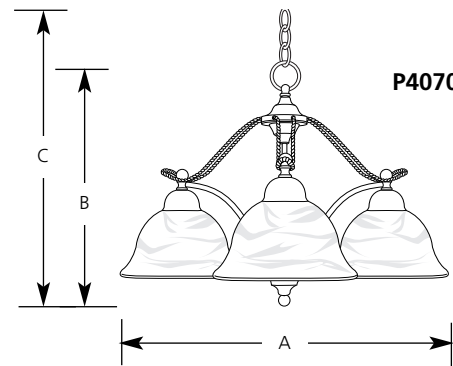
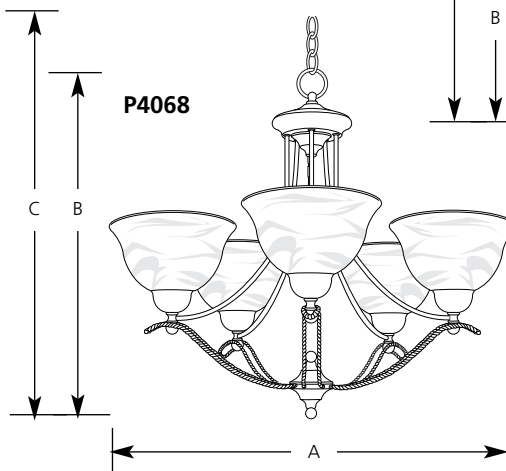
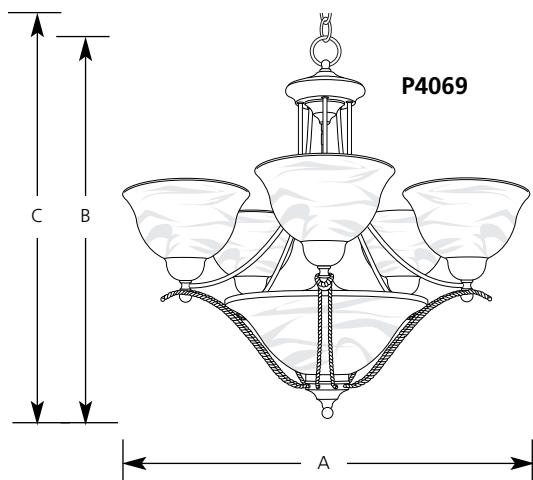


Type	-04	-09	-33
P4067	<input type="checkbox"/>	<input type="checkbox"/>	<input type="checkbox"/>
P4068	<input type="checkbox"/>	<input type="checkbox"/>	<input type="checkbox"/>
P4069	<input type="checkbox"/>	<input type="checkbox"/>	<input type="checkbox"/>
P4070	<input type="checkbox"/>	<input type="checkbox"/>	<input type="checkbox"/>

Catalog No.	Finish			Lamping	Dimensions (Inches)		
	Platinum Mist	Brushed Nickel	Cobblestone		A	B	C
P4067	-04	-09	-33	3(m) 100w	21-7/8	21-1/2	96
P4068	-04	-09	-33	5(m) 100w	26-1/2	22-5/8	97
P4069	-04	-09	-33	5(m) 100w & 3(m) 60w	26-3/8	24-1/2	99
P4070	-04	-09	-33	3(m) 100w	24-3/8	15-5/8	90



Specifications:

General

- Plated brushed nickel (-09), or hand painted platinum mist (-04) and cobblestone (-33)
- Swirled Alabaster glass
- Wire rope accents
- P4069 has a three light bowl downlight
- 6 feet of 9 gauge chain
- Companion fixtures: Additional chandelier, hall and foyer, close to ceiling, and bath and vanity.

Mounting

- Ceiling mount on chain
- Covers outlet box
- Mounting strap for outlet box included
- Canopy - 5" dia

Electrical

- 15' of wire. Clear for -09 finish, brown for others
- Medium based ceramic sockets
- Threaded socket ring secures glass
- Prewired

Labeling

- UL-CUL listed

Progress Lighting
 Post Office Box 5704
 Spartanburg, South Carolina
 29304-5704