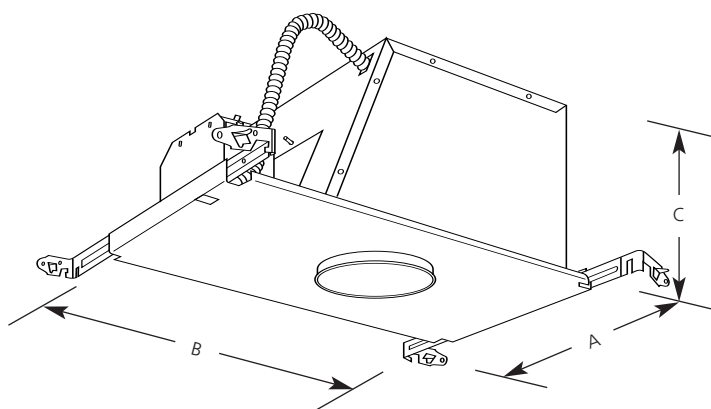


Type \_\_\_\_\_

P817-AT

Catalog No.	Lamping	Dimensions (Inches)		
		A	B	C
P817-AT	12V 50w MR16	9-3/4	15-3/4	7-1/2
		Ceiling Opening 4-1/2		



**Specifications:**

Wiring

- Universal junction box with snap-out sides
- Removable housing for field inspection of wiring
- Grounding pigtail
- Knockout free Romex clamps
- 1/2" & 3/4" Knock outs for rigid or BX fittings

Construction

- Notched housing for chalkline alignment
- Overspray protection
- Full wrap-around plaster frame
- Integral 12-volt electronic transformer
- Housing adjusts from 1/2" to 2-1/2" thick ceilings

Bar Hangers

- Integral nailers for wood joist construction
- Integral T-bar mounting clamps
- Span 24" T-bar spacing
- Lock to secure housing
- Captive

Labeling

- IC and Non-IC rated
- Complies with Washing State Energy Code (WSEC) requirement for air tight
- UL-CUL listed for damp location and through branch wiring

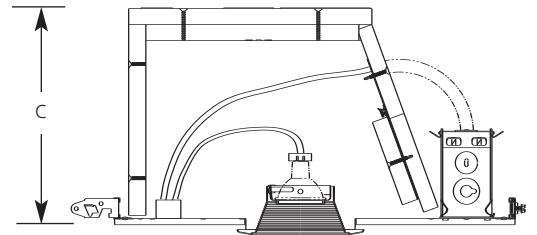
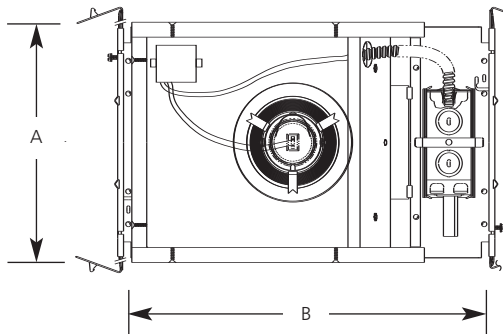
Lamp/Trim

- Lamp mounts to assembly on trim for optimum performance and consistent lamp position

Type \_\_\_\_\_

P817-FB

Catalog No.	Lamping	Dimensions (Inches)		
		A	B	C
P817-FB	12V 50w MR16	9-9/16	13-1/4	9-1/8
		Ceiling Opening 4-1/2		



**Specifications:**

Wiring

- Universal junction box with snap-out sides
- Removable housing for field inspection of wiring
- Grounding pigtail
- Knockout free Romex clamps
- 1/2" & 3/4" Knock outs for rigid or BX fittings

Construction

- Notched housing for chalkline alignment
- Overspray protection
- Full wrap-around plaster frame
- Integral 12-volt electronic transformer
- Housing adjusts from 1/2" to 2-1/2" thick ceilings

Bar Hangers

- Integral nailers for wood joist construction
- Integral T-bar mounting clamps
- Span 24" T-bar spacing

- Lock to secure housing
- Captive

Labeling

- Non-IC rated
- UL-CUL listed for damp location and through branch wiring
- UL Classified to maintain fire ratings of 1 hour or less for all UL P500 series fire rated ceiling/floor assemblies
- UL Classified to maintain fire ratings of 2 hours or less in all UL D200, G200, L200, D500, G500 and L500 series fire rated ceiling assemblies

Lamp/Trim

- Lamp mounts to assembly on trim for optimum performance and consistent lamp position

Progress Lighting  
 Post Office Box 6701  
 Greenville, South Carolina 29606

www.progresslighting.com

