



Incandescent

**6" 45 Degree Slope**

**Recessed**

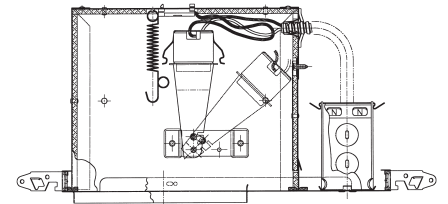
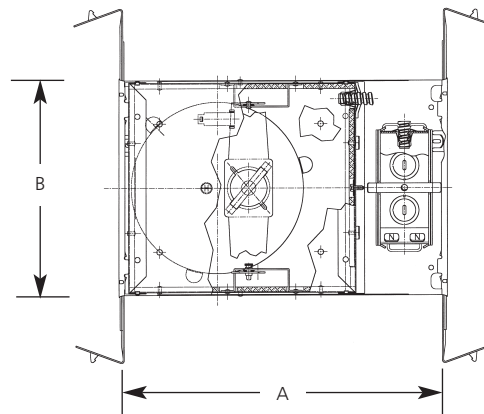
Ceiling Housing

IC & Air Tight

Type \_\_\_\_\_

P645-AT

Catalog No.	Lamping	Dimensions (Inches)		
		A	B	C
P645-AT	75BR30/PAR30	13	8-3/8	7-5/8
		Ceiling Opening 6-7/8		



**Specifications:**

Wiring

- Universal heavy gauge junction box
- Knock out free universal Romex clamps
- Access door in housing for field inspection of wiring
- Universal J-box with snap-out sides
- Grounding pigtail
- 1/2" & 3/4" pryouts for grid conduit or BX fittings

Construction

- All aluminum outer housing
- Fits into 2x8 construction
- Notched housing for chalking alignment
- Ceramic socket
- Housing adjusts from 1/2" to 1-1/2" thick ceilings

Bar Hangers

- Nail grip hanger bars
- Integral T-bar ceiling clamps on hanger bars
- Hanger bars will span 24" t-bar spacing
- Bar hanger lock to secure housing in position

Labeling

- UL-CUL listed for damp location and feed through branch wiring
- IC rated
- Complies with Washington State Energy Code ((WSEC) requirement for air tight

Lamp/Trim

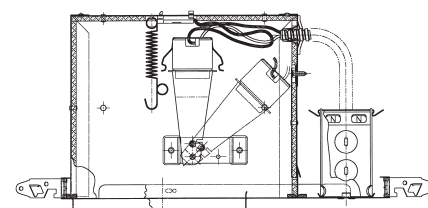
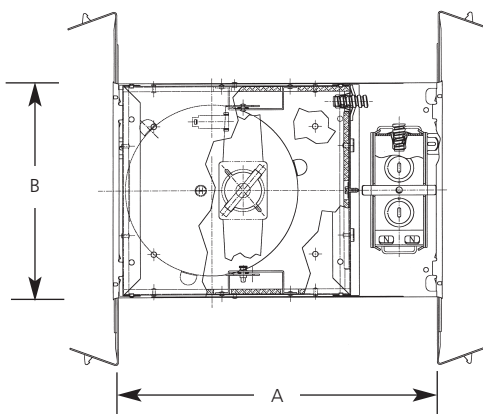
- Trim-Lok action forces trim to fit snugly against the ceiling
- Trim mounted socket for optimum performance

Progress Lighting  
 Post Office Box 5704  
 Spartanburg, South Carolina  
 29304-5704

www.progresslighting.com

Type \_\_\_\_\_  
P645-TG

Catalog No.	Lamping	Dimensions (Inches)		
		A	B	C
P645-TG	75w Par30/65w BR30	13	8-3/8	7-1/2
		Ceiling opening = 6-7/8		



• Trim must be ordered separately.

**Specifications:**

Wiring

- Universal heavy gauge junction box screw-lock door
- Knock out free integral Romex clamps
- Access door in housing for field inspection of wiring
- Universal J-box with snap-out sides
- Grounding pigtail
- 1/2" & 3/4" pryouts for grid conduit or BX fittings

Construction

- All aluminum outer housing
- Fits into 2x8 construction
- Notched housing for chalking alignment
- Porcelain socket with nickel-plated brass screw shell

Bar Hangers

- Nail grip hanger bars
- Integral T-bar ceiling clamps on hanger bars

- Hanger bars will span 24" T-bar spacing
- Bar hanger locks to secure housing in position

Labeling

- UL-CUL listed for damp location and through branch wiring
- IC rated

Lamp/Trim

- Lamp in vertical position from 9-45 degree sloped ceiling (2/12 to 12/12)
- Lamp is adjustable from below ceiling
- Single spring attachment of trim