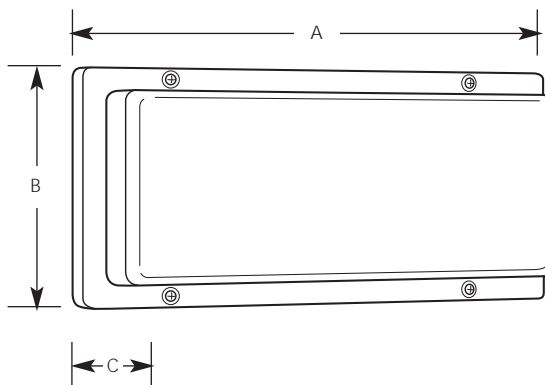


Type _____
 -30
 P5972

Catalog No.	Finish	Lamping	Dimensions (Inches)		
			A	B	C
P5972	White -30	1-13w 2pin Twin CFL	9-3/4	4-3/4	2-7/8



Specifications:

General

- White polycarbonate diffuser
- Post painted white steel chassis
- Accepts one 13w 2-pin CFL (by others)
- 4 sets of 2-11/16" tall black numbers (0-9) supplied
- Numbers include self-adhesive to attach to diffuser

Mounting

- Wall mounted
- Covers any outlet box
- Stainless steel mounting hardware included

Electrical

- 120V NPF magnetic ballast
- GX23 2-pin CFL socket

Labeling

- UL-CUL wet location listing