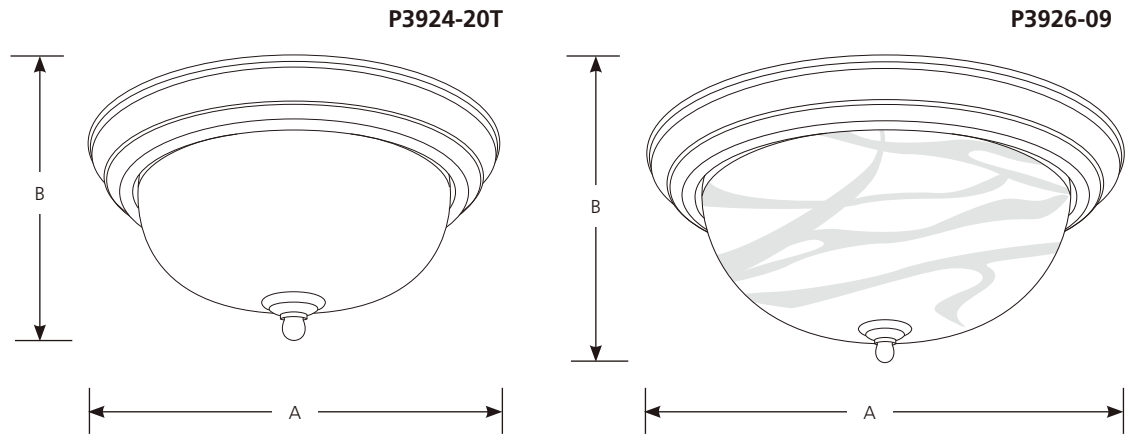


Type	_____			
	-09	-20	-20T	-30
P3924	<input type="checkbox"/>	<input type="checkbox"/>	<input type="checkbox"/>	<input type="checkbox"/>
P3925	<input type="checkbox"/>	<input type="checkbox"/>	<input type="checkbox"/>	<input type="checkbox"/>
P3926	<input type="checkbox"/>	<input type="checkbox"/>	<input type="checkbox"/>	<input type="checkbox"/>

Catalog No.	Finish				Lamping	Dimensions (Inches)	
	Brushed Nickel	Antique		White		A	B
		Antique Bronze	Bronze w/ Topaz glass				
P3924	-09	-20	-20T	-30	1 (m) 60w	11-3/8	5-1/2
P3925	-09	-20	-20T	-30	2 (m) 75w	13-1/4	5-7/8
P3926	-09	-20	-20T	-30	3 (m) 60w	15-1/4	6-5/8



Specifications:

General

- Dome shaped glass with solid trim and decorative knobs
- Center lock up with matching finial
- Flared ceiling pan
- Brushed Nickel (-09) is plated, Antique Bronze (-20/-20T) and white (-30) are hand painted finishes
- Steel construction

Mounting

- Ceiling mount
- Ceiling pan covers a standard 4" recessed octagonal outlet box
- Mounting strap for outlet box included

Electrical

- Pre-wired
- Medium based ceramic sockets

Labeling

- Damp location listed



Compact Fluorescent

Alabaster Glass

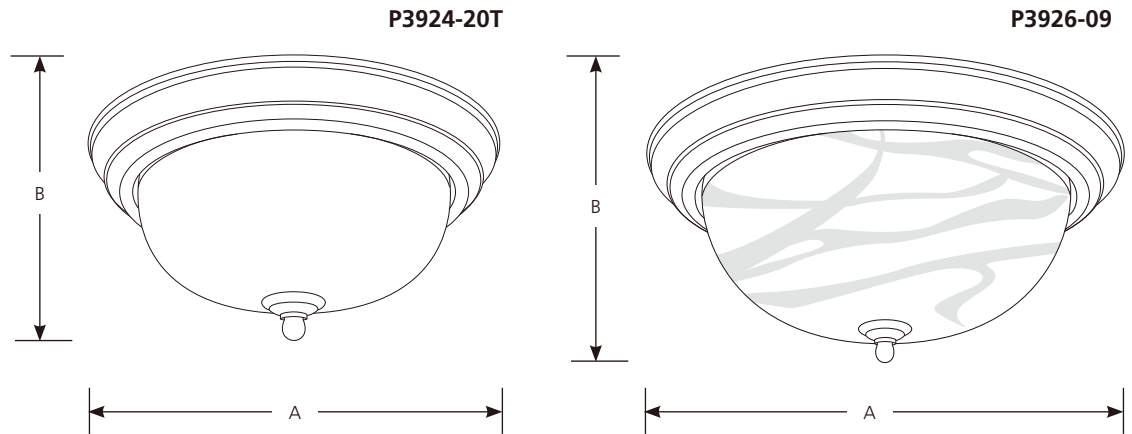
Close to Ceiling

	Type			
	-09EBWB	-20EBWB	-20TEBWB	-30EBWB
P3924	<input type="checkbox"/>	<input type="checkbox"/>	<input type="checkbox"/>	<input type="checkbox"/>
P3925	<input type="checkbox"/>	<input type="checkbox"/>	<input type="checkbox"/>	<input type="checkbox"/>
P3926	<input type="checkbox"/>	<input type="checkbox"/>	<input type="checkbox"/>	<input type="checkbox"/>

Finish

Antique

Catalog No.	Antique				Lamping	Dimensions (Inches)	
	Brushed Nickel	Antique Bronze	Bronze w/ Topaz glass	White		A	B
P3924	-09EBWB	-20EBWB	-20TEBWB	-30EBWB	1 13w GU24 CFL	11-3/8	5-1/2
P3925	-09EBWB	-20EBWB	-20TEBWB	-30EBWB	2 18w GU24 CFL	13-1/4	5-7/8
P3926	-09EBWB	-20EBWB	-20TEBWB	-30EBWB	3 18w GU24 CFL	15-1/4	6-5/8



Specifications:

General

- Dome shaped glass with solid trim and decorative knobs
- Center lock up with matching finial
- Flared ceiling pan
- Brushed Nickel (-09) is plated, Antique Bronze (-20/-20T) and white (-30) are hand painted finishes
- Steel construction

Mounting

- Ceiling mount
- Ceiling pan covers a standard 4" recessed octagonal outlet box
- Mounting strap for outlet box included

Electrical

- Pre-wired
- GU24 based sockets

Labeling

- cCSAus damp location listed

Progress Lighting
701 Millennium Blvd.
Greenville, South Carolina
29607

www.progresslighting.com

Rev. 4/12