



Incandescent

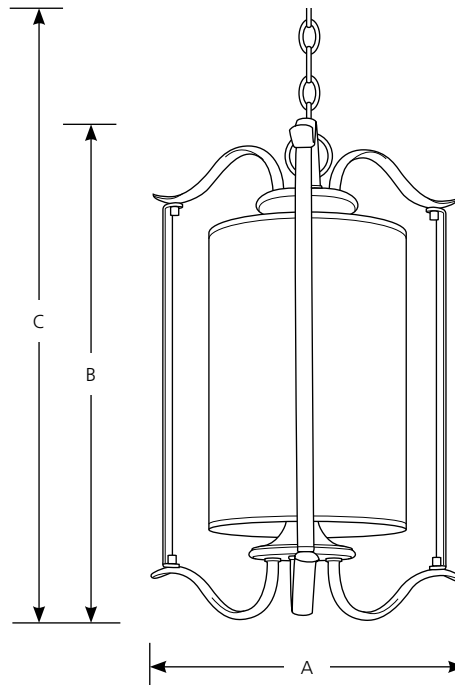
Inspire

Pendants

Type _____
-09 -20

P3799

Catalog No.	Finish		Lamping	Dimensions (Inches)		
	Antique Bronze	Antique Bronze		A	B	C
P3799	-09	-20	1 (m) 100w	14-3/4	20-1/4	96



Specifications:

General

- Beige linen shade: 8-1/8" dia., 12-3/16" ht.
- Plated Brushed Nickel (-09) finish
- Painted Antique Bronze (-20) finish
- Steel construction
- Six feet of 9 gauge chain
- Companion Bath and Vanity, Chandelier, Hall and Foyer, Pendant, Sconce, fixtures are available

recessed outlet box

- Mounting strap for outlet box included

Electrical

- 10 feet of wire supplied
- Medium base ceramic sockets
- Pre-wired

Labeling

- UL-CUL listed

Mounting

- Ceiling chain mount
- Canopy covers a standard 4" hexagonal

Progress Lighting
701 Millennium Blvd.
Greenville, South Carolina
29607

www.progresslighting.com

Rev. 04/13