

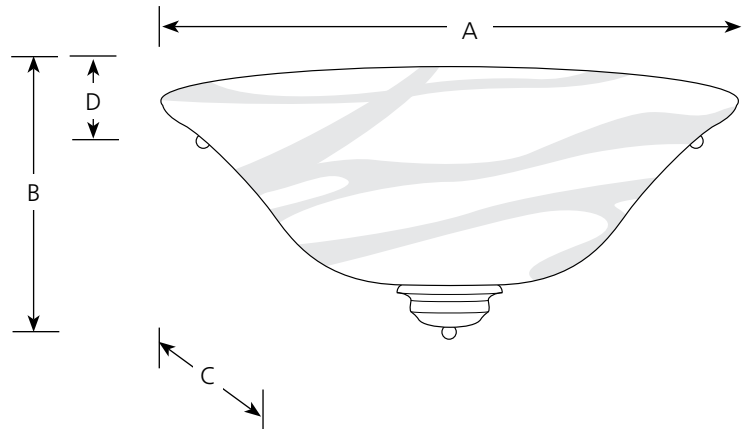
Type \_\_\_\_\_

-09    -20

P7153       

**Finish**

Catalog No.	Finish		Lamping	Dimensions (Inches)			
	Brushed Nickel	Antique Bronze		A	B	C	D
P7153	-09	-20	1 (m) 60w	15-3/8	7	7-1/2	2-1/2



**Specifications:**

General

- Alabaster glass flared cone shaped half bowl: 15-3/8" w x 7-1/2" L x 5-3/4" ht.
- Plated Brushed Nickel (-09) or painted Antique Brass (-20) finish
- Steel Construction
- Companion foyer, close to ceiling, and pendant fixtures are available

Mounting

- Wall mounted
- Fits a standard 4" hexagonal recessed outlet box
- Mounting strap for outlet box included

Electrical

- Medium based ceramic sockets
- Pre-wired

Labeling

- UL-CUL listed