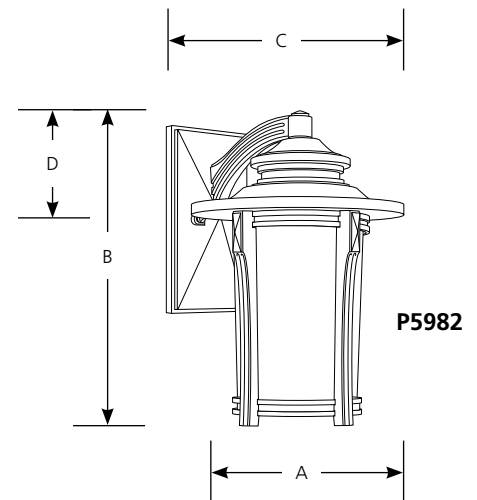
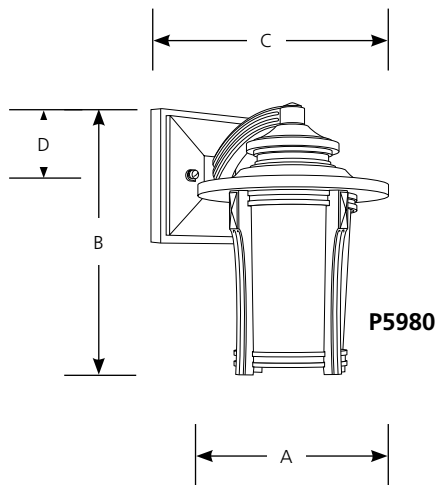


Type _____
 -97
 P5980
 P5981
 P5982

Catalog No.	Finish Autumn Haze	Lamping	Dimensions (Inches)			
			A	B	C	D
P5980	-97	1-13w GU24 CFL	7	10	8-1/2	2-1/2
P5981	-97	1-26w GU24 CFL	9	13-3/8	10-1/2	5-3/4
P5982	-97	1-26w GU24 CFL	11-1/2	16-1/2	13-1/2	5-3/4



Specifications:

General

- Autumn Haze (-97) powder coated finish
- Etched seeded glass :
- Aluminum construction
- Companion Chain hung lantern, Post top lantern, Wall lantern fixtures are available

Electrical

- GU24 base socket
- Pre-wired

Labeling

- cCSAus Wet location

Mounting

- Wall mount
- Back plate covers a standard 4" hexagonal recessed outlet box
- Mounting strap for outlet box included