



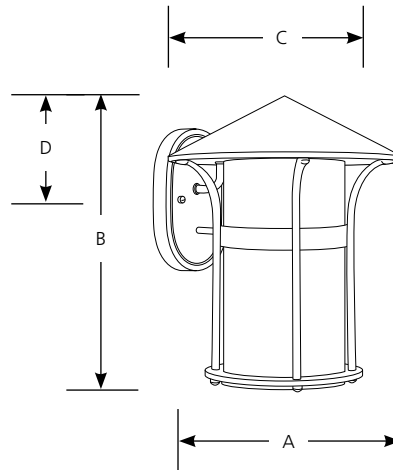
Incandescent

Welcome Wall Lantern

Outdoor

Type _____
-20
P6005

Catalog No.	Finish	Lamping	Dimensions (Inches)			
	Antique Bronze		A	B	C	D
P6005	-20	1-100w A19 (m)	11	13-1/2	11-7/8	5-1/8



Specifications:

General

- Antique Bronze (-20) painted or acid finish
- Etched glass : 5-9/16" dia x 10-1/4" ht.
- Stamped aluminum construction
- Companion Chain hung lantern, Post top lantern, Wall lantern fixtures are available

Electrical

- Medium base socket
- Pre-wired

Labeling

- cCSAus Wet location listed

Mounting

- Wall mount
- Back plate covers a standard 4" hexagonal recessed outlet box
- Mounting strap for outlet box included

Progress Lighting
701 Millennium Blvd.
Greenville, South Carolina
29607

www.progresslighting.com