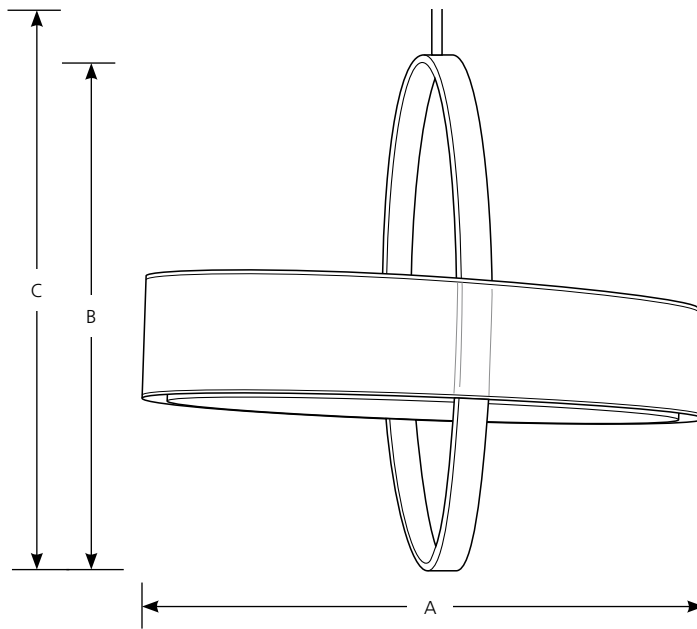


Catalog No.	Finish		Lamping	Dimensions (Inches)		
	Brushed Nickel	Antique Bronze		A	B	C
P5058	-09	-20	4 (c) 60w	24	21	87

Type	-09	-20
P5058	<input type="checkbox"/>	<input type="checkbox"/>



**Specifications:**

General

- Outside mylar shade:
- White linen inside shade:
- Brushed Nickel plated finish
- Antique Bronze painted finish
- Steel construction
- 6 links of 9 gauge chain supplied.
- Companion Pendant, fixtures are available

Mounting

- Ceiling stem mounted with 6 links of chain mount
- Canopy covers a standard 4" hexagonal recessed outlet box
- Mounting strap for outlet box included

Electrical

- Candelabra base phenolic sockets
- 15 feet of wire supplied
- Pre-wired

Labeling

- cCSAus listed

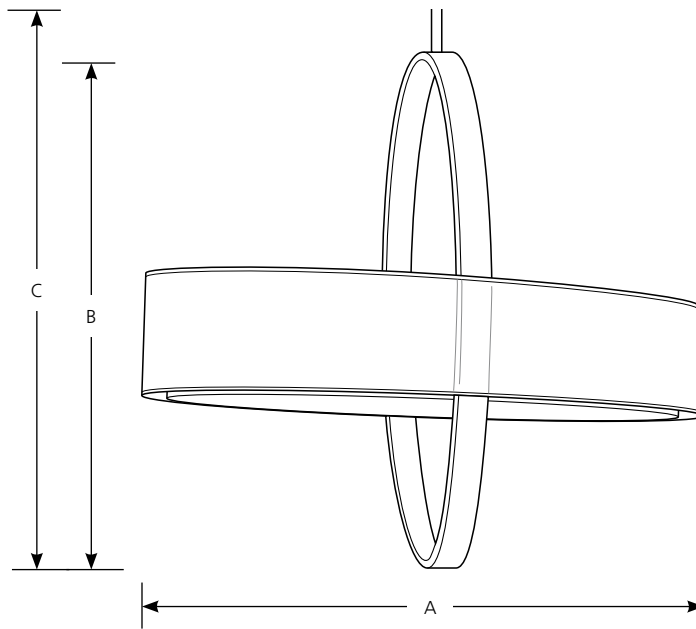


Type \_\_\_\_\_

-09EBWB    -20EBWB

P5058       

Catalog No.	Finish		Lamping	Dimensions (Inches)		
	Brushed Nickel	Antique Bronze		A	B	C
P5058	-09EBWB	-20EBWB	2 GU24 26w (included)	24	21	87



**Specifications:**

General

- Outside mylar shade:
- White linen inside shade:
- Brushed Nickel plated finish
- Antique Bronze painted finish
- Steel construction
- 6 links of 9 gauge chain supplied.
- 26w GU24 self-ballasted GU24 lamps (included)
- Companion Pendant, fixtures are available

Mounting

- Ceiling stem mounted with 6 links of chain mount
- Canopy covers a standard 4" hexagonal recessed outlet box
- Mounting strap for outlet box included

Electrical

- GU24 base sockets
- 15 feet of wire supplied
- Pre-wired

Labeling

- cCSAus listed