



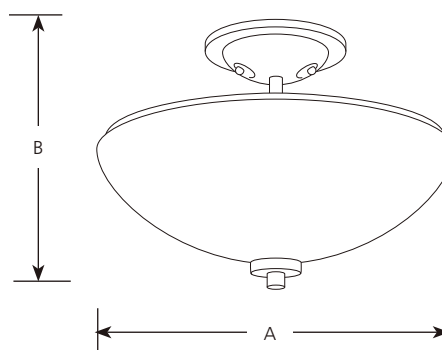
Incandescent

Rave

Close-to-Ceiling

Type \_\_\_\_\_  
 -09                      -77  
 P3550                      

Catalog No.	Finish		Lamping	Dimensions (Inches)	
	Brushed Nickel	Forged Bronze		A	B
P3550	-09	-77	2 (m) 100w	13-1/4	9-5/8



**Specifications:**

General

- Etched glass bowl
- Semi-flush mount
- Plated Brushed Nickel (-09) or plated Forged Bronze (-20) finish
- Steel construction
- Companion fixtures: Chandeliers, hall & foyer

Electrical

- Pre-wired
- Medium based ceramic socket

Labeling

- UL-CUL listed

Mounting

- Ceiling mount
- Canopy covers a standard 4" octagonal recessed outlet box
- Mounting strap for outlet box included

Progress Lighting  
 701 Millennium Blvd.  
 Greenville, South Carolina  
 29607

www.progresslighting.com

Rev. 3/12